

Installation Instructions

Installation instructions, accessories

XC60 2020

Volvo Car Corporation Gothenburg, Sweden



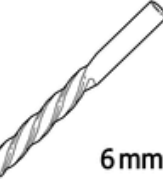

XC60 (18-) 2020

Instruction No	Version	Part. No.
31454899	1.0	39848485, 39790113, 39848665, 39790091, 39848647, 39848629, 39848611, 39848593, 39848575, 39848557, 39848539, 39848521, 39848503, 39848467, 39848449, 39848413

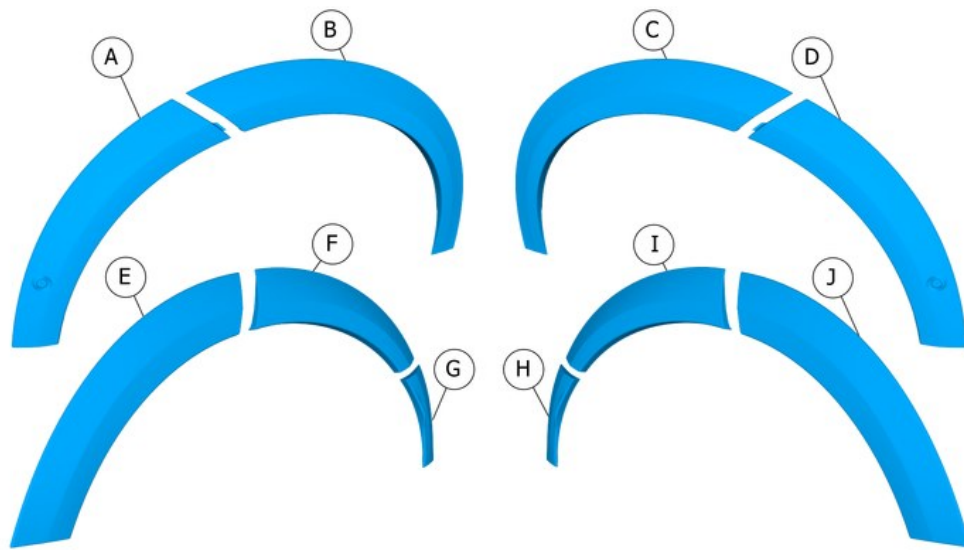


Fender extension (vehicles with variant code UF06)

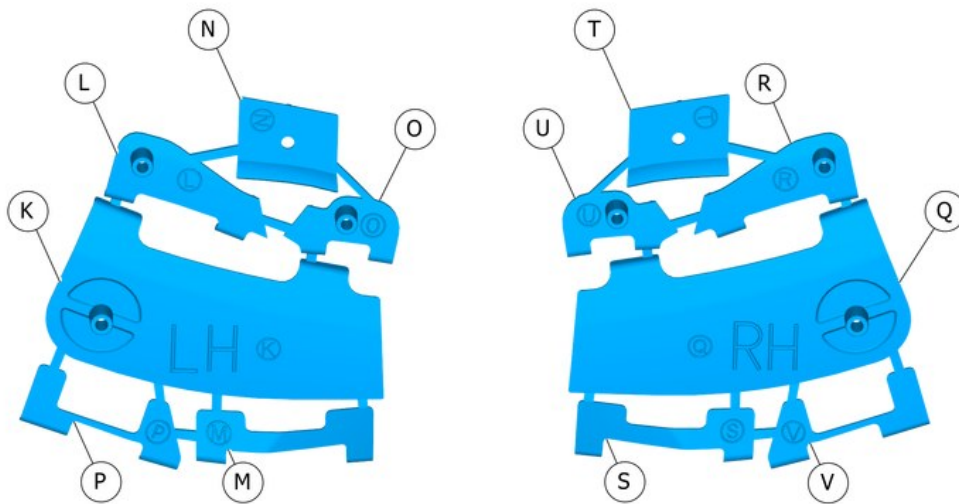
Materials	
Designation	Part number
Isopropanol	1161721
Primer	1161727

Equipment			
 IMG-268803	 IMG-263203	 IMG-425905 6 mm	 IMG-425896 35 mm





IMG-421931



IMG-425895



Information

1

Read through all of the instructions before starting installation.

Notifications and warning texts are for your safety and to minimise the risk of something breaking during installation.

Ensure that all tools stated in the instructions are available before starting installation.

Certain steps in the instructions are only presented in the form of images. Explanatory text is also given for more complicated steps.

In the event of any problems with the instructions or the accessory, contact your local Volvo dealer.

Further information

2



IMG-400007

Note!

If a pending accessories installation include the removing and replacing of the bumper, this installation should be carried out first.

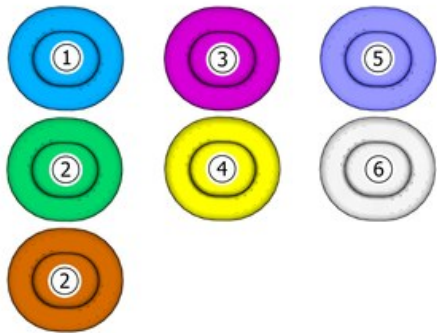
When installing, the car must retain a temperature of 20 degrees C.

After installation, the car must not be washed for 48 hours

Color symbols



3



IMG-363036

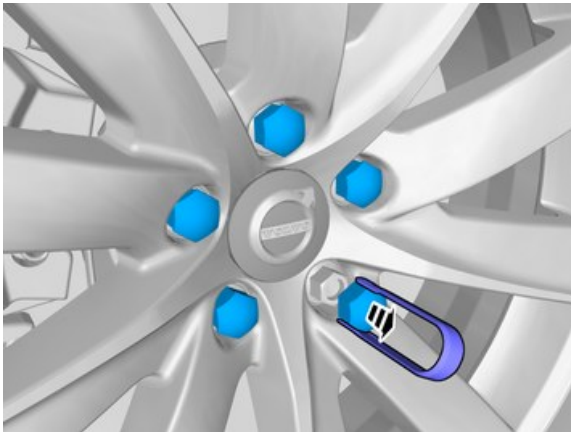
Note!

This colour chart displays (in colour print and electronic version) the importance of the different colours used in the images of the method steps.

1. Used for focused component, the component with which you will do something.
2. Used as extra colors when you need to show or differentiate additional parts.
3. Used for attachments that are to be removed/installed. May be screws, clips, connectors, etc.
4. Used when the component is not fully removed from the vehicle but only hung to the side.
5. Used for standard tools and special tools.
6. Used as background color for vehicle components.

Removal**Vehicles with Parking assistance pilot**

4

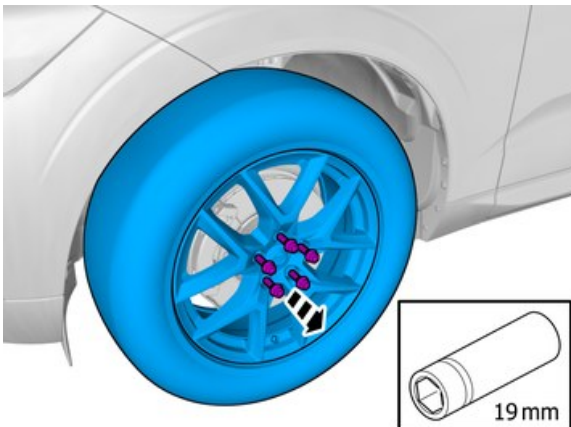


IMG-403425

Remove the marked part.

Use: Pliers

5



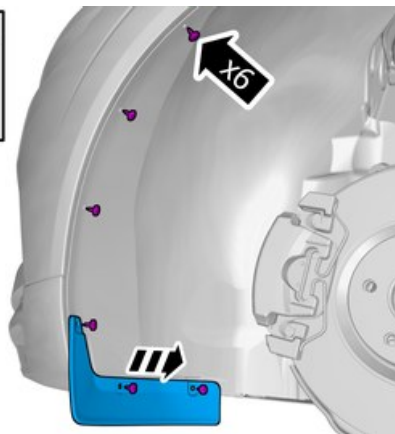
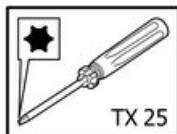
IMG-426018

Remove the screws.

Remove the marked part.



6



Remove the screws.
Remove the marked part.

IMG-426020

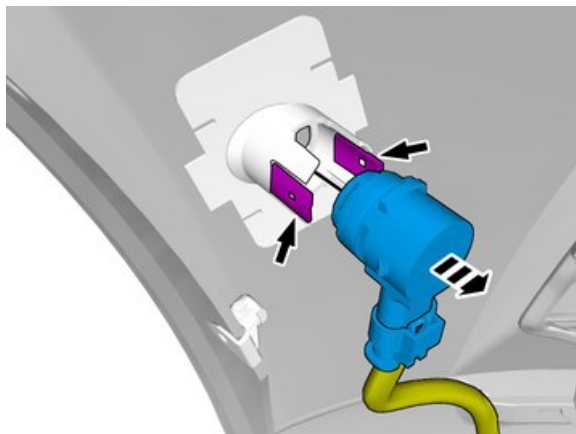
7



Fold the wing liner aside.

IMG-426045

8

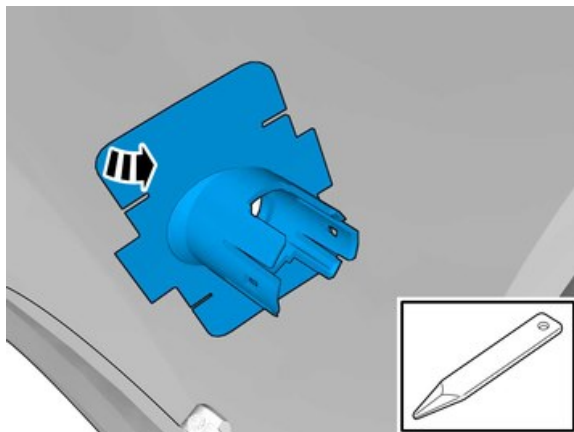


Release the catches.
Loosen the component indicated. Do not remove it.

IMG-426050



9



IMG-426070

Remove the marked part.

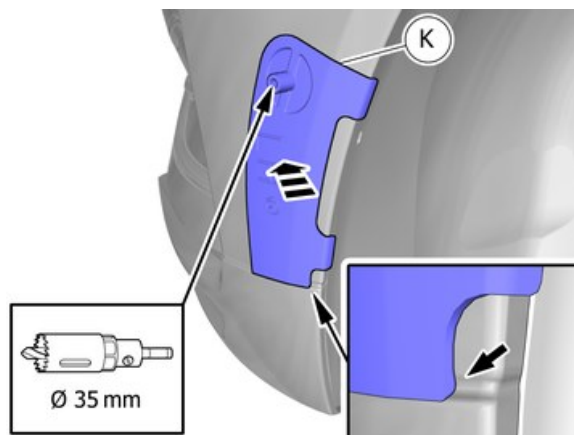
Use: Interior trim remover

The part is not to be reused.

All vehicles

Accessory installation

10



IMG-426078

Note!

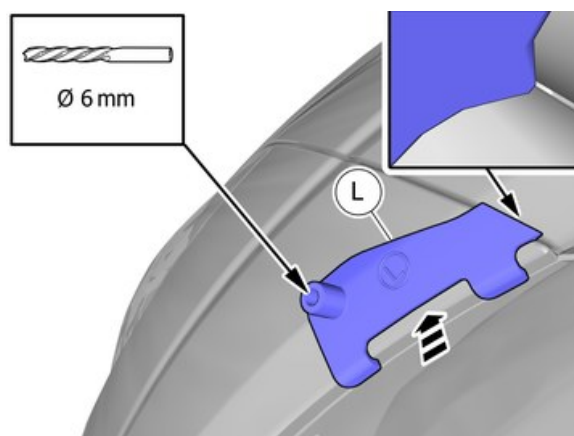
Make sure that the template is correctly located.

Hold the component in the position shown.

Make a hole, using the tool indicated.

Remove the Special Tool.

11



IMG-426095

Note!

Make sure that the template is correctly located.

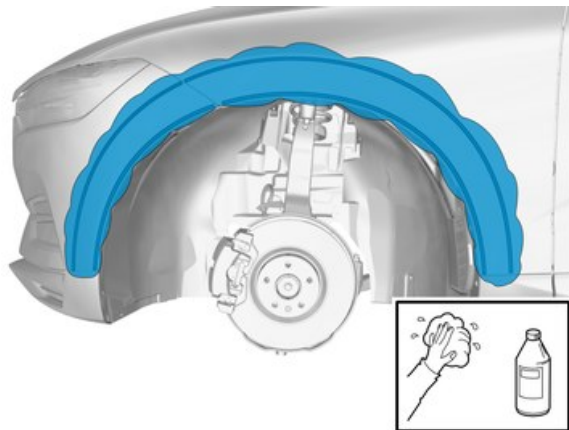
Hold the component in the position shown.

Make a hole, using the tool indicated.

Remove the Special Tool.



12



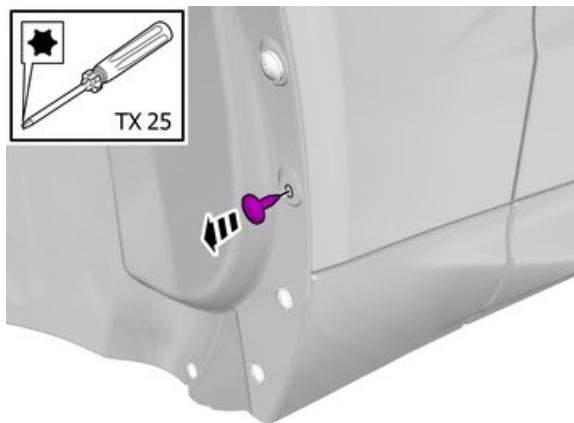
Clean the surfaces.

Allow to dry.

Use: 1161721, Isopropanol

IMG-426105

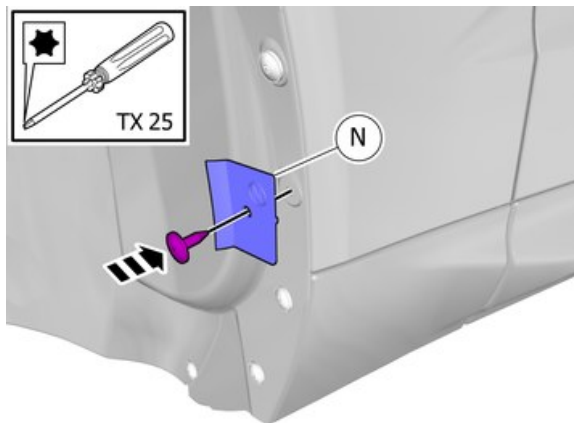
13



Remove the screw.

IMG-426103

14



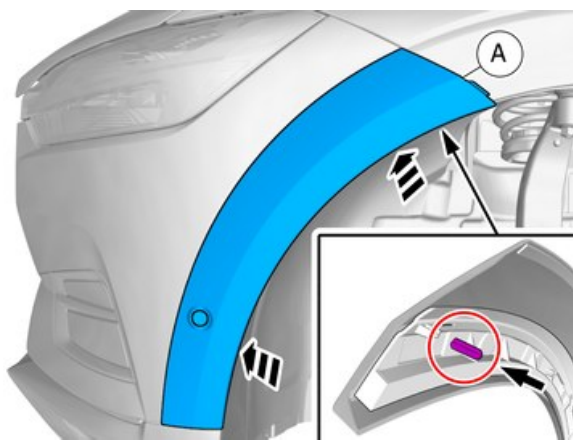
Install component that comes with the accessory kit.

Reinstall the screw.

IMG-426104



15

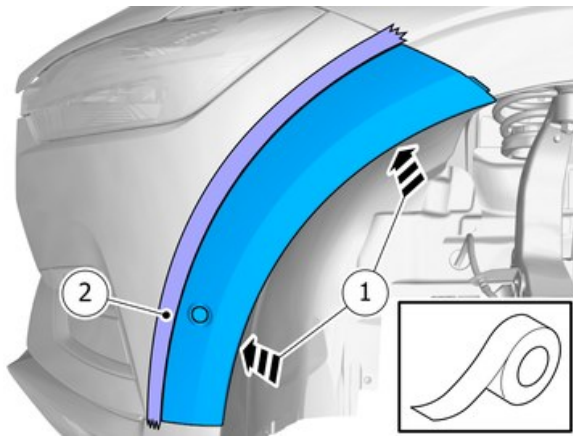


IMG-426136

Note!
Note the position.

Install component that comes with the accessory kit.

16



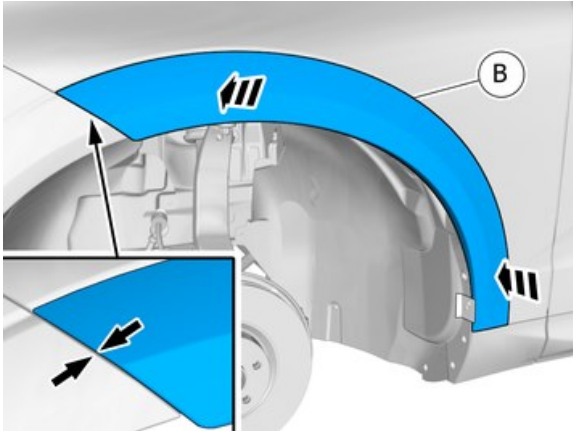
IMG-426137

Note!
This step is easier with two people.

- 1. Hold the component in the position shown.
- 2. **Use:** Masking tape

Remove the marked part.

17



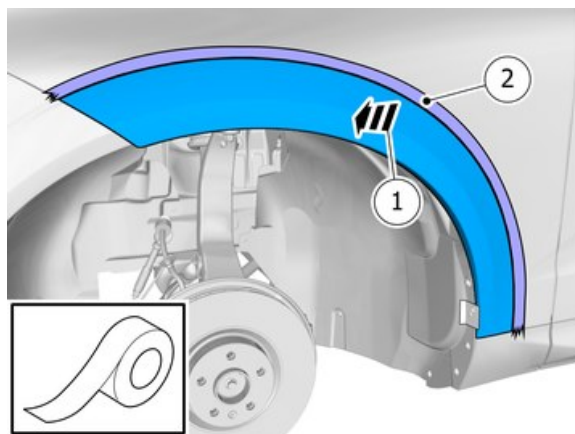
IMG-426165

Note!
Note the position.

Install component that comes with the accessory kit.



18



IMG-426166

Note!

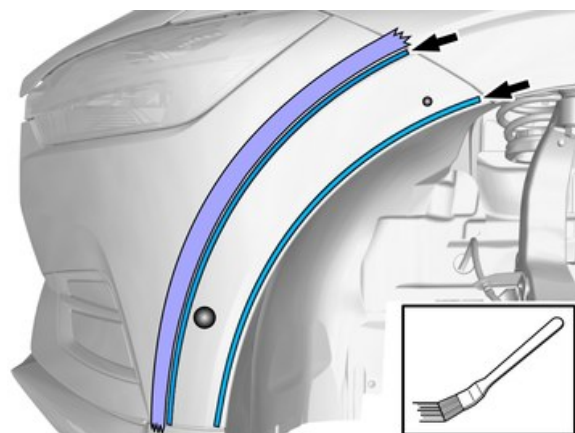
This step is easier with two people.

1. Hold the component in the position shown.

2. **Use:** Masking tape

Remove the marked part.

19



IMG-426170

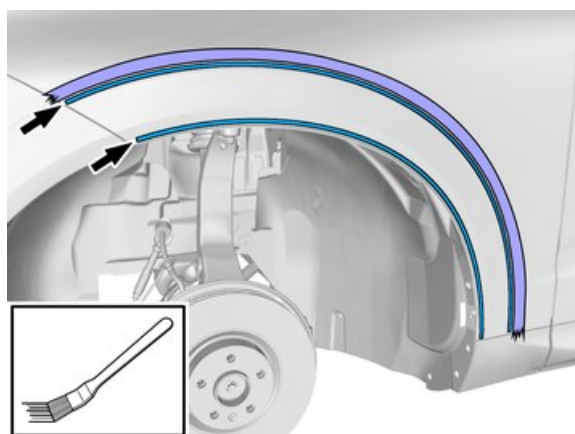
Apply a thin layer of primer.

Allow to dry for at least 5 minutes but not more than 30 minutes.

Use: 1161727, Primer

Remove the tape.

20



IMG-426175

Apply a thin layer of primer.

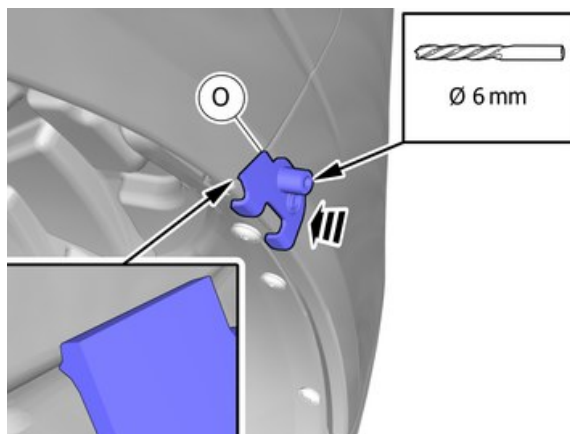
Allow to dry for at least 5 minutes but not more than 30 minutes.

Use: 1161727, Primer

Remove the tape.



21



IMG-426191

Note!

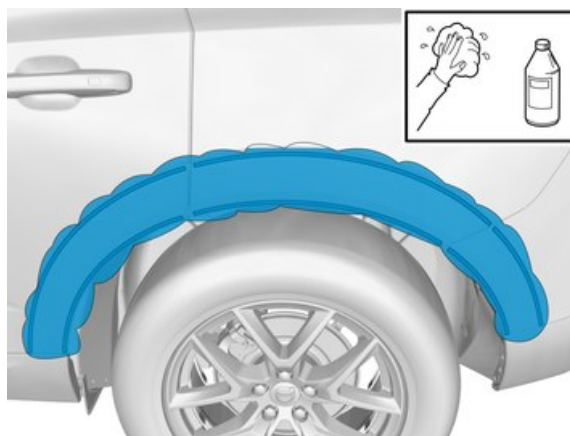
Make sure that the template is correctly located.

Hold the component in the position shown.

Make a hole, using the tool indicated.

Remove the Special Tool.

22



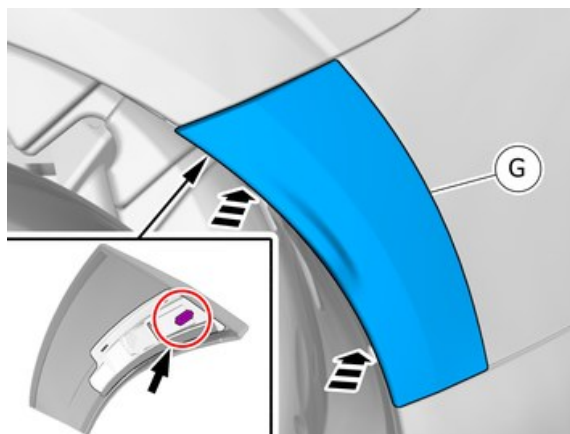
IMG-426185

Clean the surfaces.

Allow to dry.

Use: 1161721, Isopropanol

23



IMG-426260

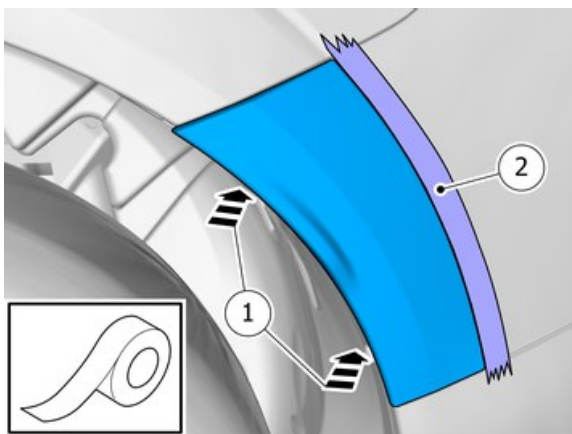
Note!

Note the position.

Install component that comes with the accessory kit.



24



IMG-426262

Note!

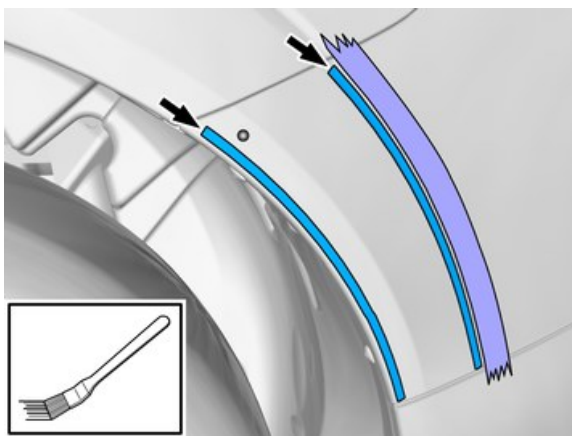
This step is easier with two people.

1. Hold the component in the position shown.

2. **Use:** Masking tape

Remove the marked part.

25



IMG-426263

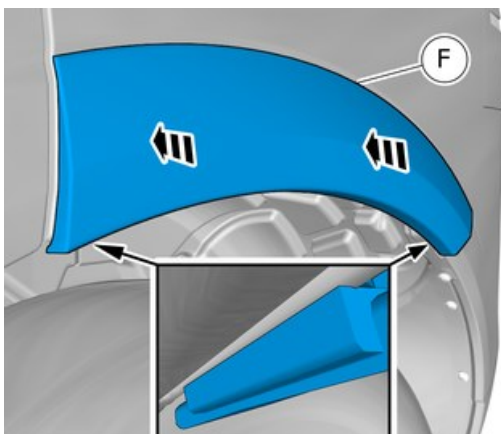
Apply a thin layer of primer.

Allow to dry for at least 5 minutes but not more than 30 minutes.

Use: 1161727, Primer

Remove the tape.

26



IMG-426270

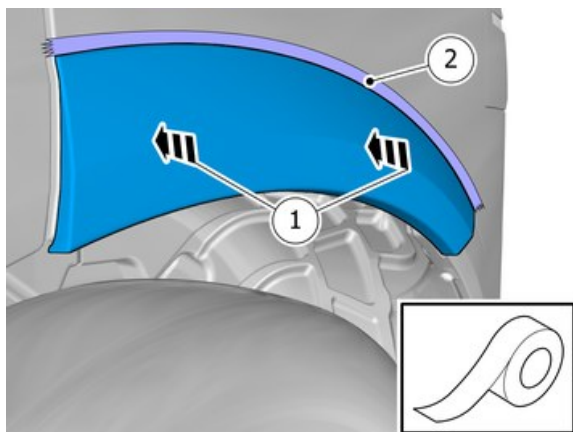
Note!

Note the position.

Install component that comes with the accessory kit.



27



IMG-426275

Note!

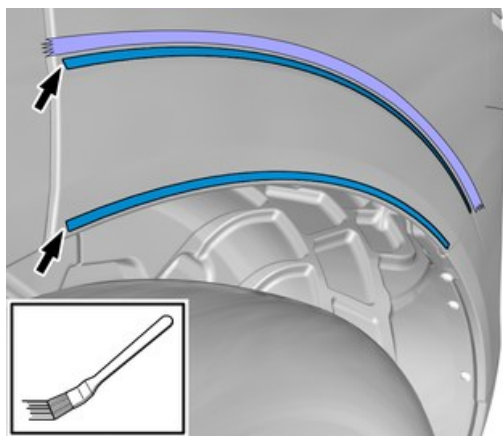
This step is easier with two people.

1. Hold the component in the position shown.

2. **Use:** Masking tape

Remove the marked part.

28



IMG-426276

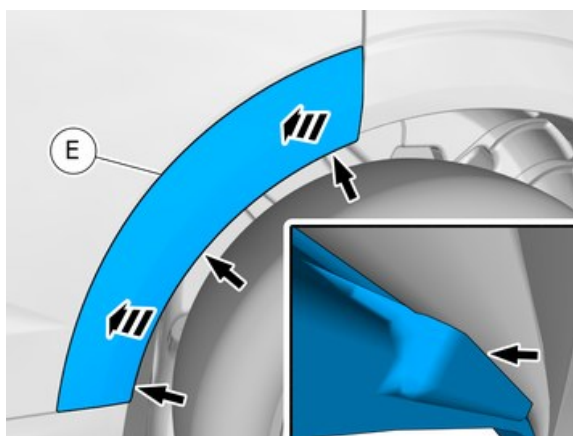
Apply a thin layer of primer.

Allow to dry for at least 5 minutes but not more than 30 minutes.

Use: 1161727, Primer

Remove the tape.

29



IMG-426280

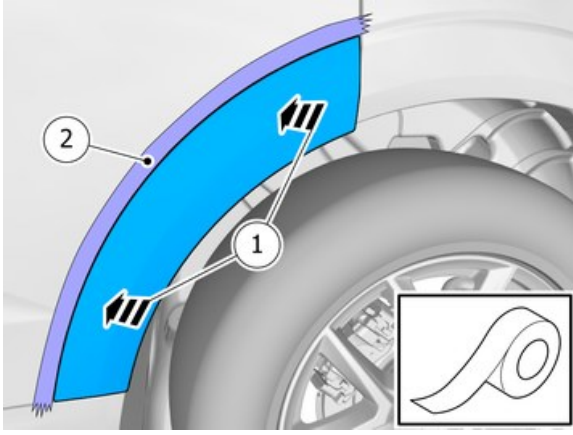
Note!

Note the position.

Install component that comes with the accessory kit.



30

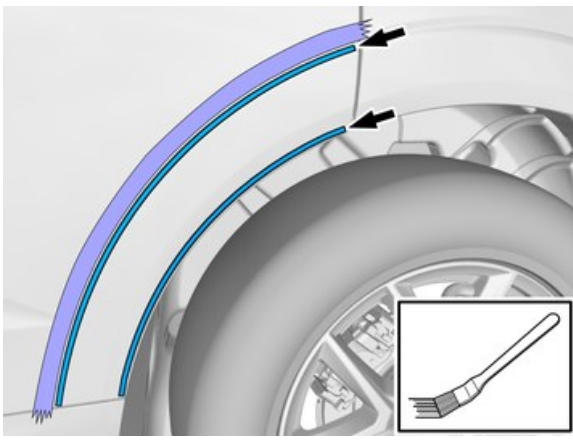


IMG-426281

Note!
This step is easier with two people.

1. Hold the component in the position shown.
 2. **Use:** Masking tape
- Remove the marked part.

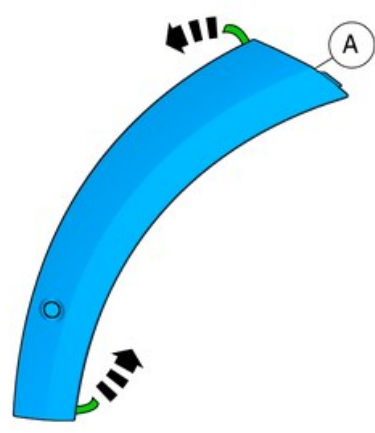
31



IMG-426282

Apply a thin layer of primer.
Allow to dry for at least 5 minutes but not more than 30 minutes.
Use: 1161727, Primer
Remove the tape.

32



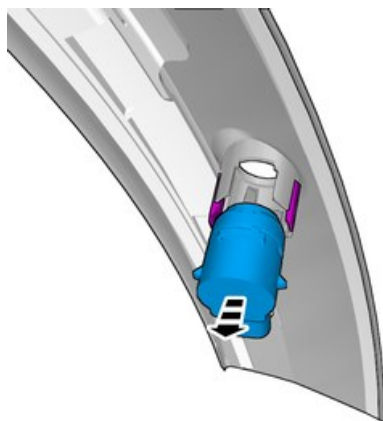
IMG-426310

Fold the protective film forward

Vehicles with Parking assistance pilot



33



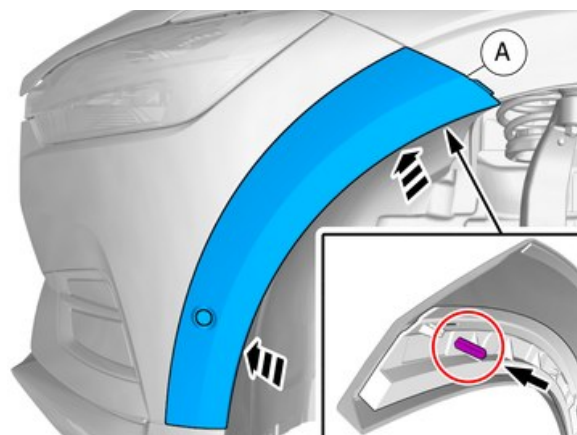
IMG-431030

Remove the marked part.

The part is not to be reused.

All vehicles

34

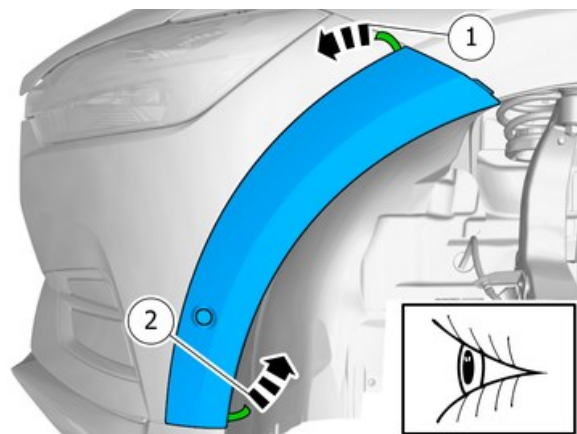


IMG-426136

Note!
Note the position.

Install component that comes with the accessory kit.

35



IMG-426311

Caution!
Pull carefully.

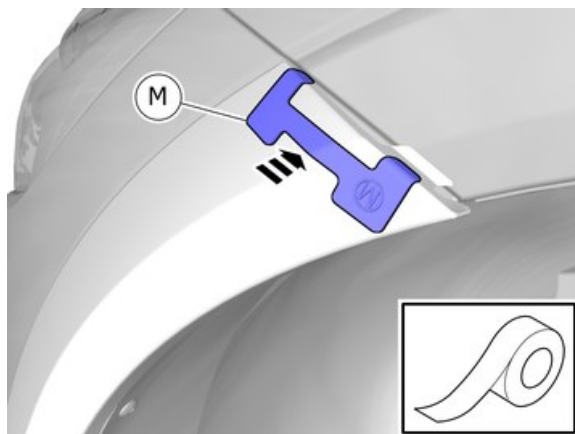
Note!
Press and apply pressure to the part over the tape for at least 20 seconds.

Note!
Ensure that the tape is fixed to the surface.

Remove the protective film.



36



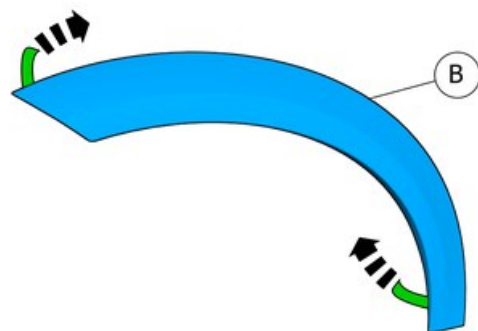
IMG-426395

Install component that comes with the accessory kit.

Secure the template with tape.

Use: Masking tape

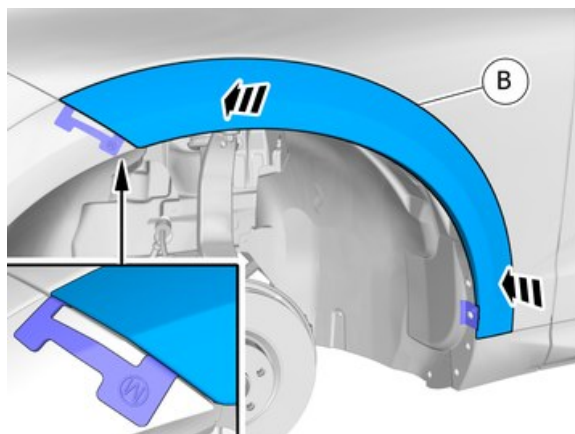
37



IMG-426332

Fold the protective film forward

38



IMG-426396

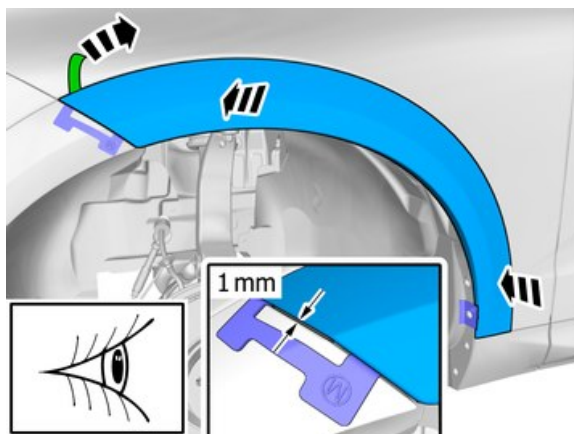
Note!

Note the position.

Install component that comes with the accessory kit.



39



IMG-426335

Caution!

Pull carefully.

Note!

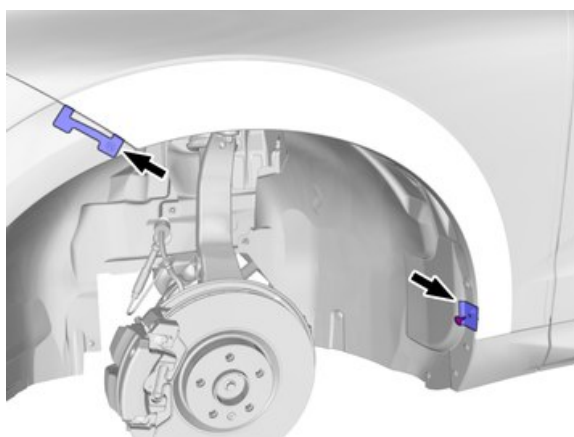
This step requires the aid of another technician.

Note!

Adjust the position of the components to create even spaces.

Remove the protective film.

40



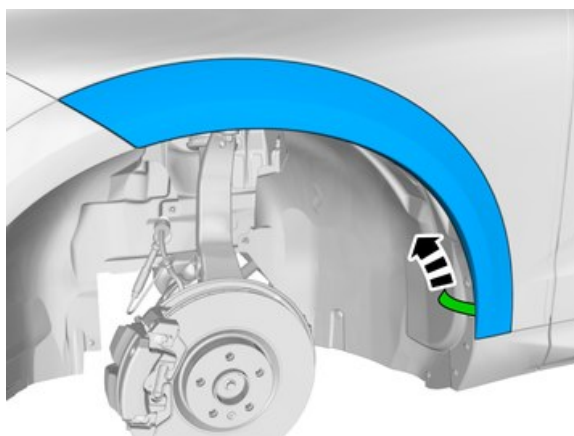
IMG-430895

Remove the screw.

Remove the marked part.

Reinstall the screw.

41



IMG-430881

Caution!

Pull carefully.

Note!

Press and apply pressure to the part over the tape for at least 20 seconds.

Note!

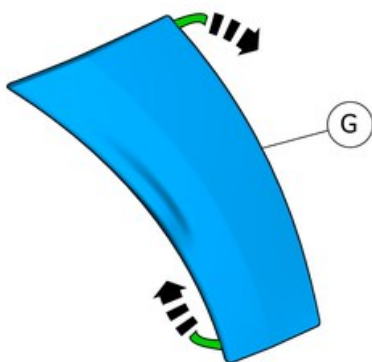
Ensure that the tape is fixed to the surface.

Remove the protective film.



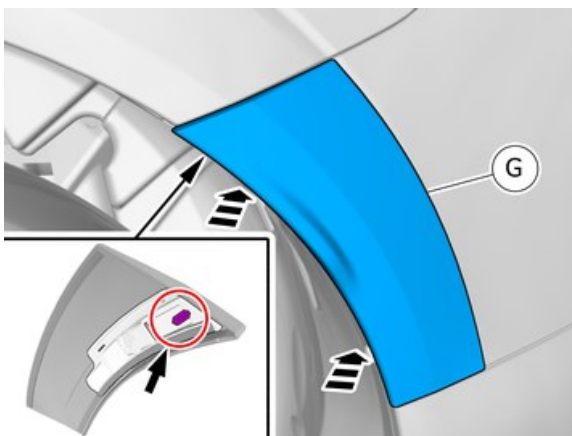
42

Fold the protective film forward



IMG-426400

43



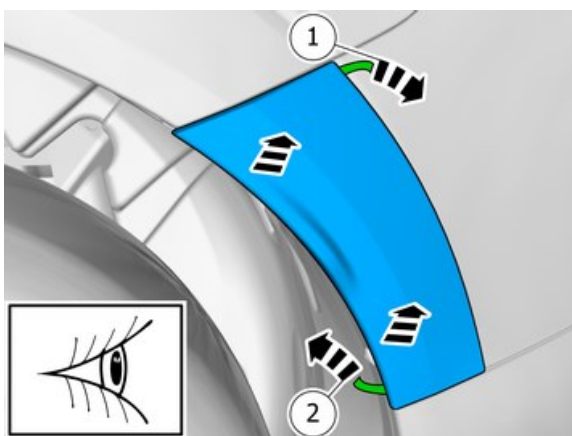
IMG-426260

Note!

Note the position.

Install component that comes with the accessory kit.

44



IMG-426401

Caution!

Pull carefully.

Note!

Press and apply pressure to the part over the tape for at least 20 seconds.

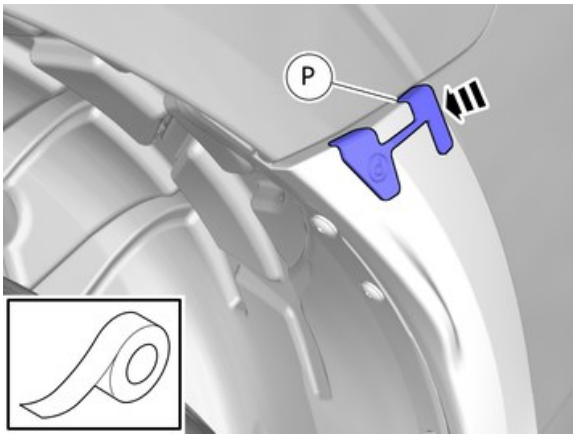
Note!

Ensure that the tape is fixed to the surface.

Remove the protective film.



45



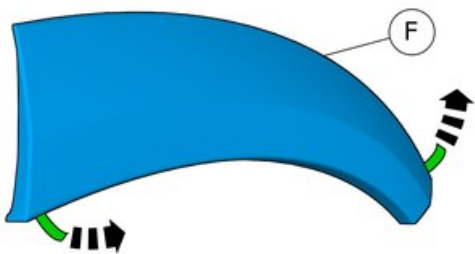
IMG-426405

Install component that comes with the accessory kit.

Secure the template with tape.

Use: Masking tape

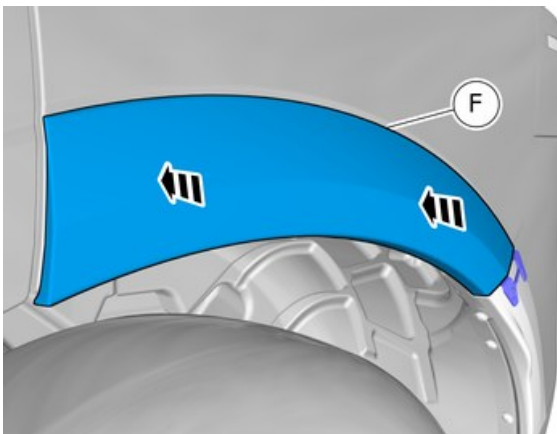
46



IMG-426410

Fold the protective film forward

47



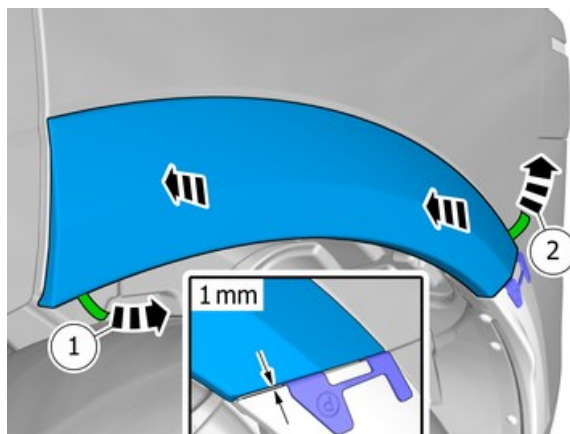
IMG-426426

Note!
Note the position.

Install component that comes with the accessory kit.



48



IMG-426420

Caution!

Pull carefully.

Note!

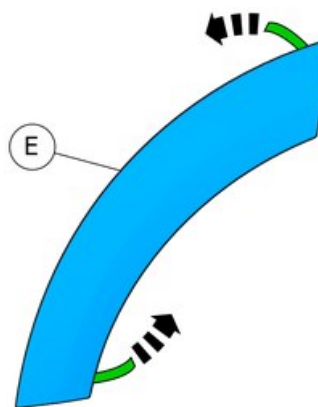
Press and apply pressure to the part over the tape for at least 20 seconds.

Note!

Adjust the position of the components to create even spaces.

Remove the protective film.

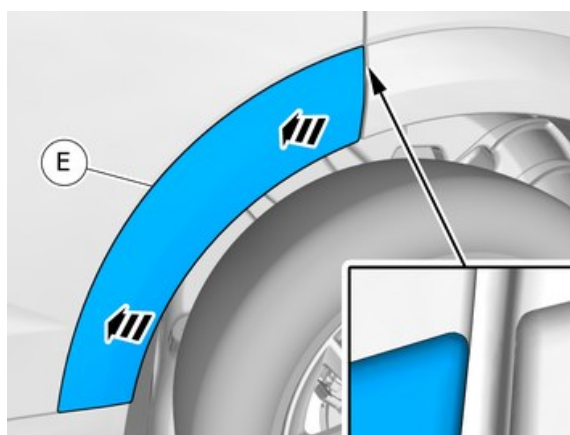
49



IMG-426430

Fold the protective film forward

50



IMG-426436

Note!

Adjust the position of the components to create even spaces.

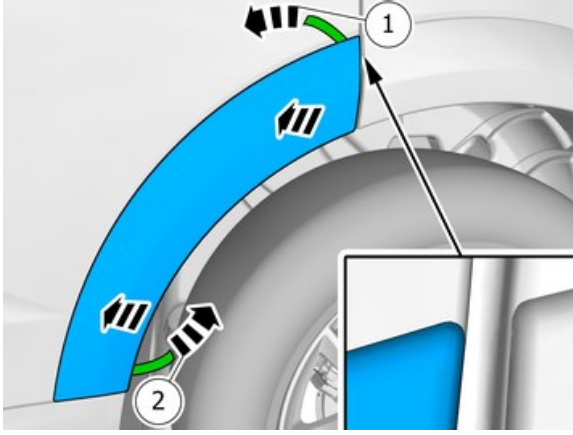
Note!

Note the position.

Install component that comes with the accessory kit.



51



IMG-426435

Caution!
Pull carefully.

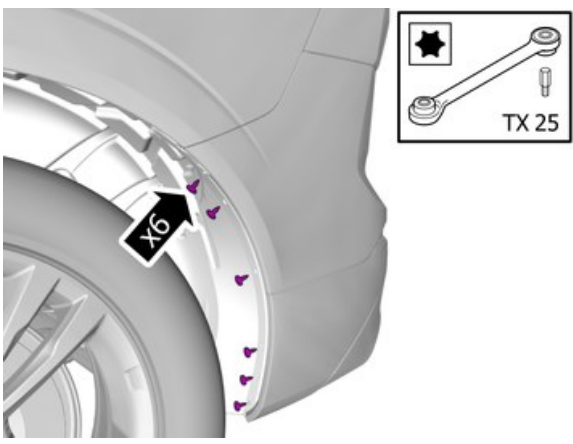
Note!
Press and apply pressure to the part over the tape for at least 20 seconds.

Note!
Ensure that the tape is fixed to the surface.

Remove the protective film.

When necessary, carry out the following instruction.

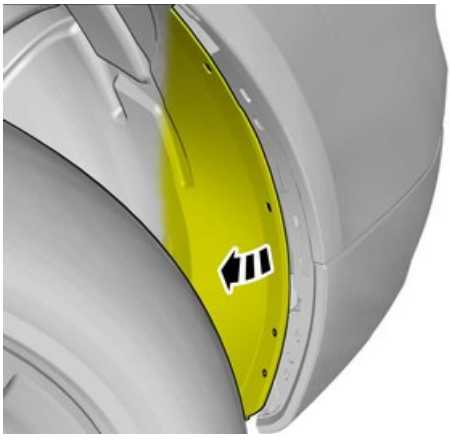
52



IMG-420406

Remove the screws.

53

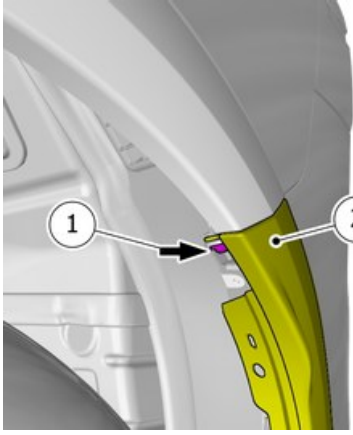


IMG-420407

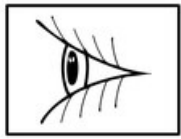
Fold the wing liner aside.



54

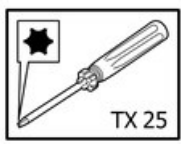


IMG-431010

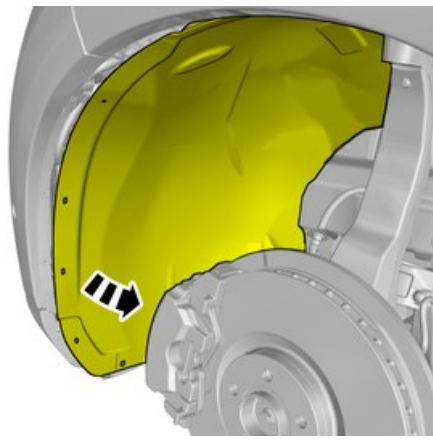


Note!
Adjust the position of the components to create even spaces.

Loosen the screws.



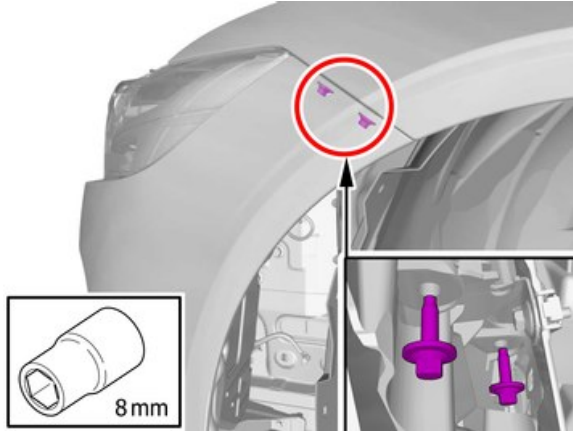
55



IMG-382211

Fold the wing liner aside.

56

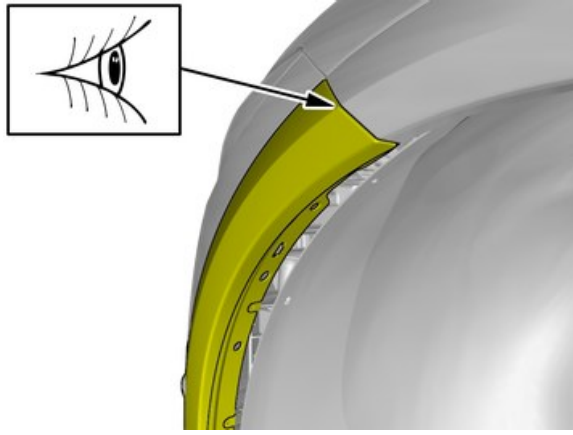


IMG-412715

Note!
Do not loosen the bolts more than one turn.



57



IMG-431020

Note!
Adjust the position of the components to create even spaces.

Installation

58

Reinstall the removed parts in reverse order.

Accessory installation

59

Repeat the steps when installing accessories on opposite side.

