

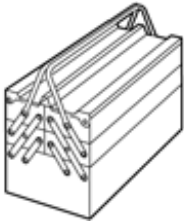




Installation instructions, accessories

Volvo Car Corporation Gothenburg, Sweden

Exterior styling kit

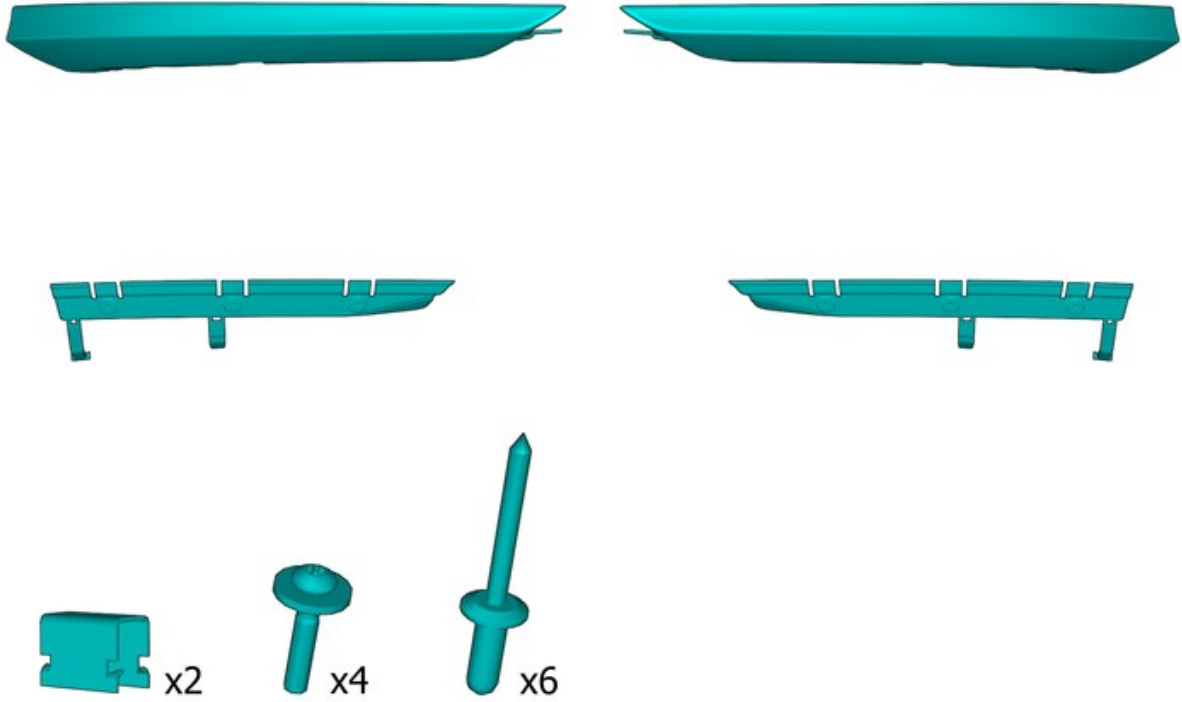
Special tools	
	999 7390 Key Tool number:999 7390 Tool description:Key Tool boards:80
	999 5919 PULLER (SEAL-PINION,CAM-CRANKSHAFT)B200-6304 Tool number:999 5919 Tool description:PULLER (SEAL-PINION,CAM-CRANKSHAFT)B200-6304 Tool boards:46

Materials	
Designation	Part number
Isopropanol	
Tape	

Equipment				
 IMG-345497	 IMG-239667	 IMG-268803	 IMG-239940	 IMG-239681

Installation instructions, accessories

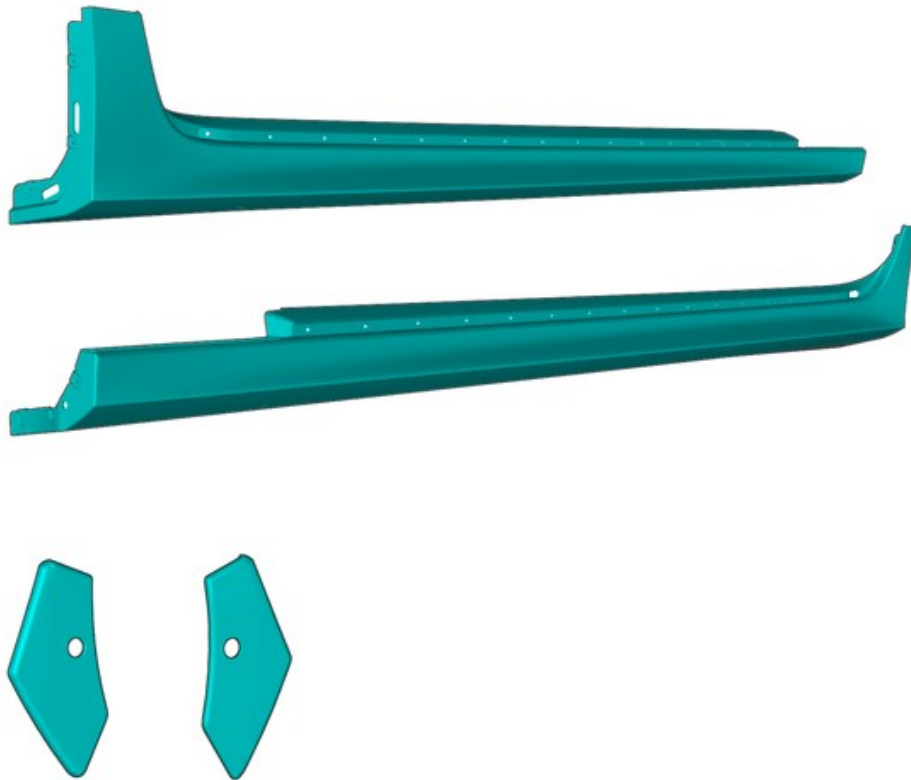
Volvo Car Corporation Gothenburg, Sweden



IMG-442415

Installation instructions, accessories

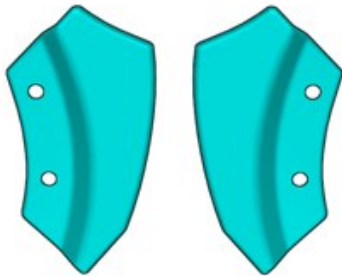
Volvo Car Corporation Gothenburg, Sweden



IMG-442759

Installation instructions, accessories

Volvo Car Corporation Gothenburg, Sweden



IMG-441965

Installation instructions, accessories

Volvo Car Corporation Gothenburg, Sweden

Information

1

Read through all of the instructions before starting installation.

Notifications and warning texts are for your safety and to minimise the risk of something breaking during installation.

Ensure that all tools stated in the instructions are available before starting installation.

Certain steps in the instructions are only presented in the form of images. Explanatory text is also given for more complicated steps.

In the event of any problems with the instructions or the accessory, contact your local Volvo dealer.

Further information

2

When installing, the car must retain a temperature of 20 degrees C.



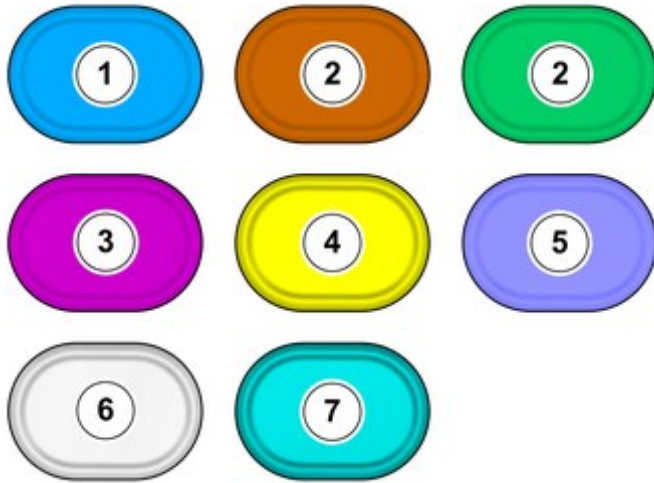
IMG-400007

Color symbols

Installation instructions, accessories

Volvo Car Corporation Gothenburg, Sweden

3



IMG-400010

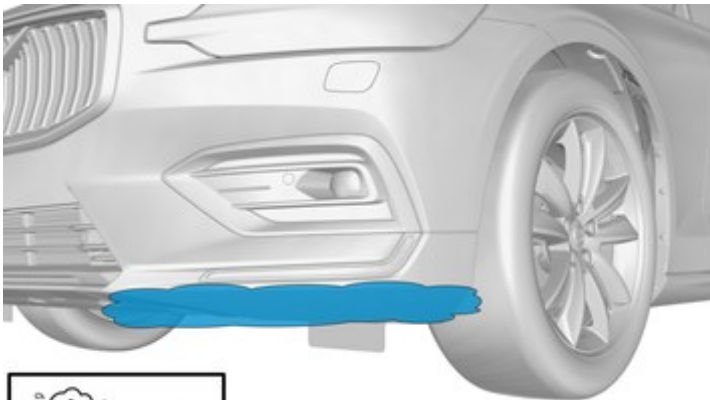
Note!

This colour chart displays (in colour print and electronic version) the importance of the different colours used in the images of the method steps.

1. Used for focused component, the component with which you will do something.
2. Used as extra colors when you need to show or differentiate additional parts.
3. Used for attachments that are to be removed/installed. May be screws, clips, connectors, etc.
4. Used when the component is not fully removed from the vehicle but only hung to the side.
5. Used for standard tools and special tools.
6. Used as background color for vehicle components.
7. Used for accessory components.

Removal

4



IMG-442423

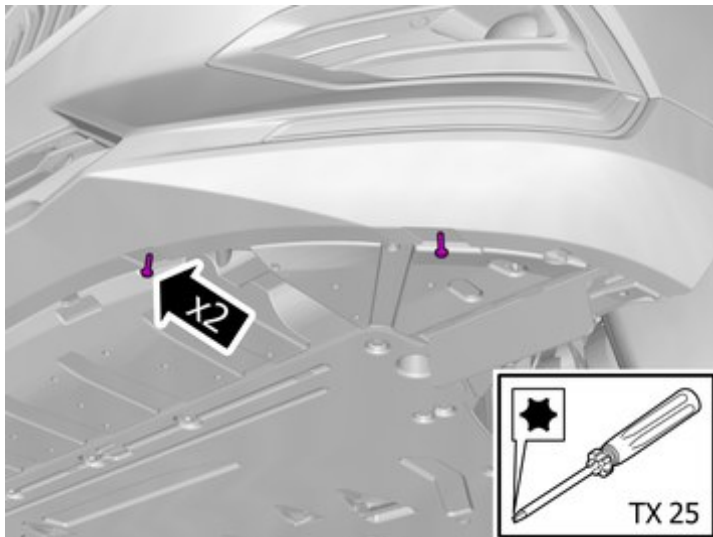
Clean the Bumper Cover surface.

Use: , Isopropanol

Installation instructions, accessories

Volvo Car Corporation Gothenburg, Sweden

5



IMG-442452

Remove the screws.

The part is not to be reused.

Accessory installation

6



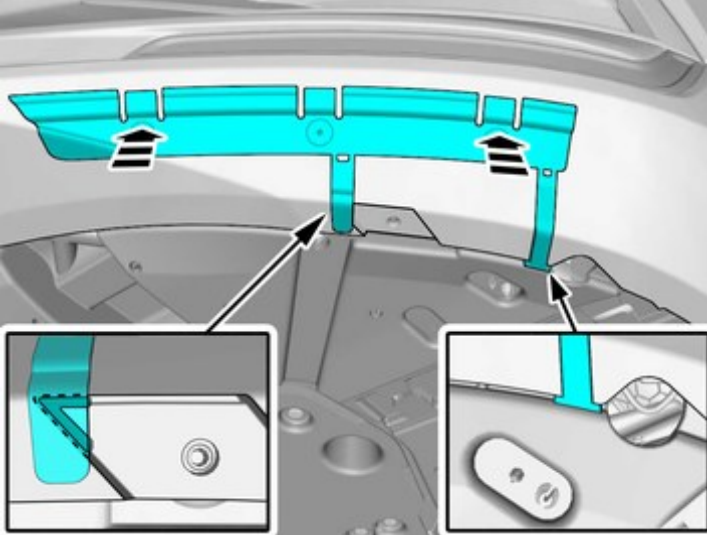
IMG-442569

Remove the protective film.

Installation instructions, accessories

Volvo Car Corporation Gothenburg, Sweden

7



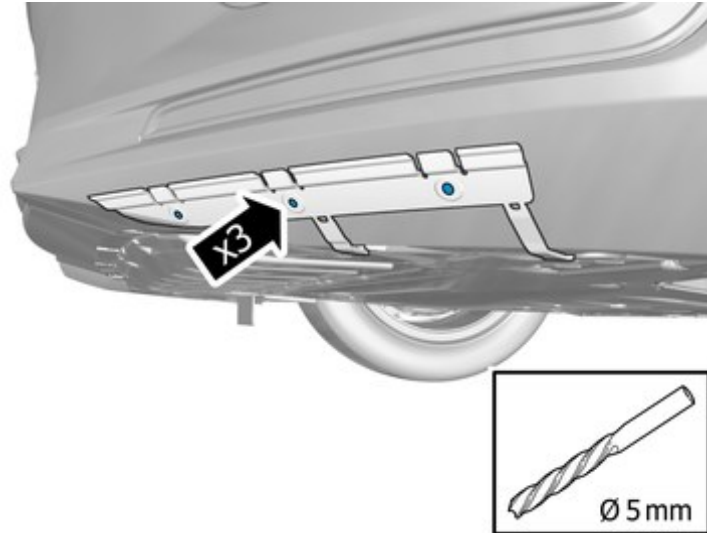
IMG-448555

Caution!

Make sure that the components are positioned correctly.

Install component that comes with the accessory kit.

8



IMG-442578

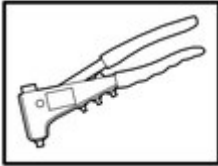
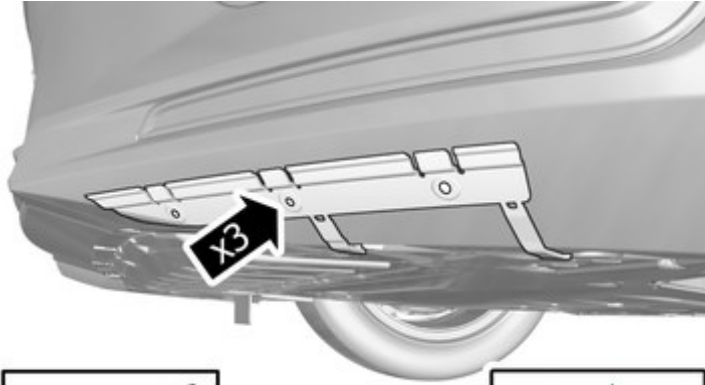
Locate relevant marking.

Make a hole, using the tool indicated.

Installation instructions, accessories

Volvo Car Corporation Gothenburg, Sweden

9



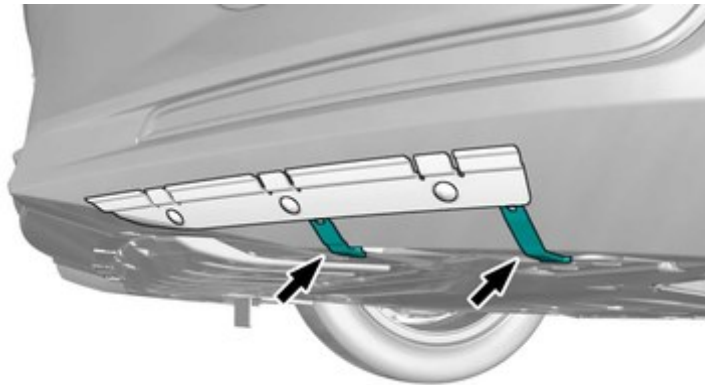
IMG-442581



Install components that come with the accessory kit.

Use: Pop rivet pliers

10



IMG-442593

Remove the marked detail/details.

Installation instructions, accessories

Volvo Car Corporation Gothenburg, Sweden

11

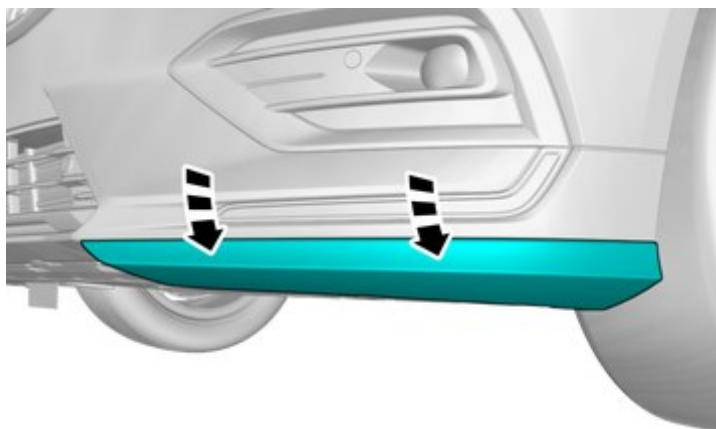
Fold the protective film forward



IMG-453132

12

Install component that comes with the accessory kit.
Ensure that all clips engage.

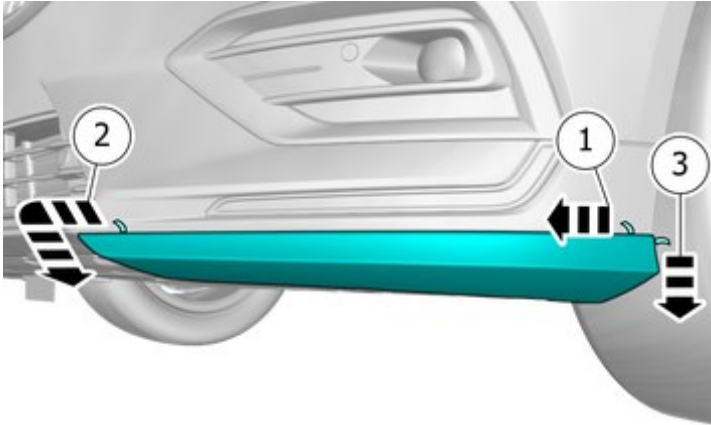


IMG-442628

Installation instructions, accessories

Volvo Car Corporation Gothenburg, Sweden

13



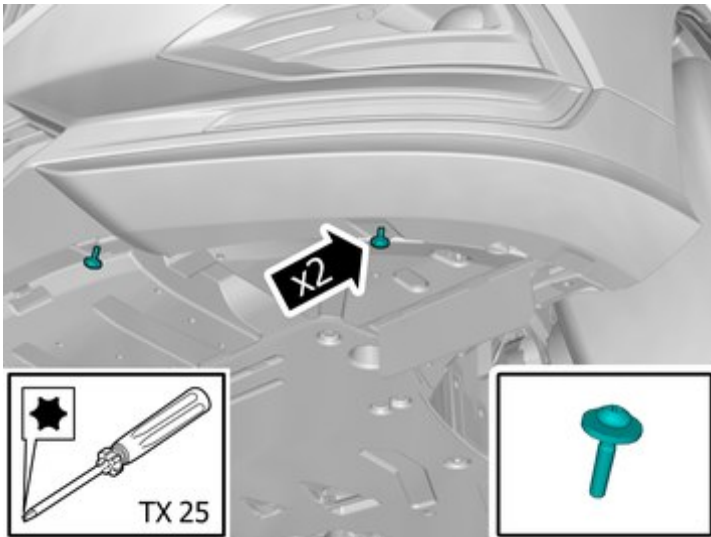
Caution!
Pull carefully.

Note!
Ensure that the tape is fixed to the surface.

Remove the protective film.

IMG-453134

14



Install components that come with the accessory kit.

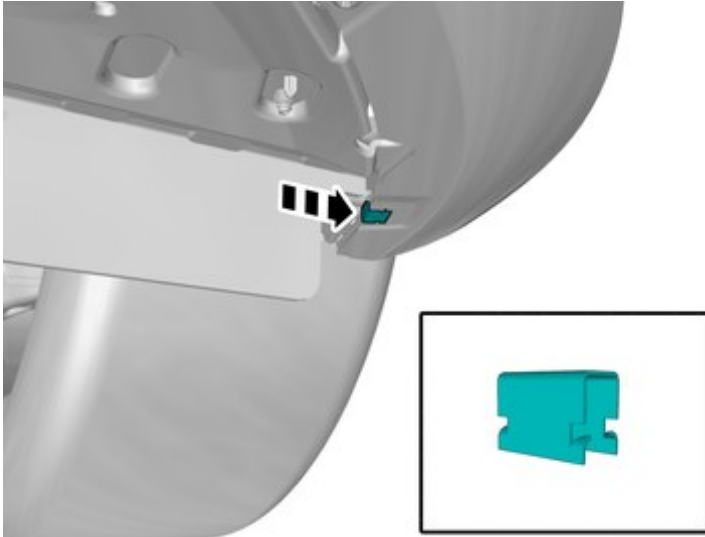
Tighten the bolts.

IMG-442635

Installation instructions, accessories

Volvo Car Corporation Gothenburg, Sweden

15



IMG-442647

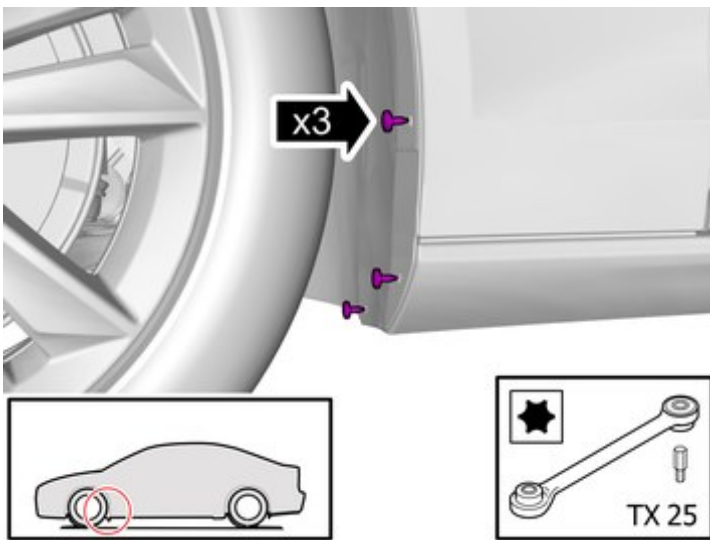
Install component that comes with the accessory kit.

16

Repeat the steps when installing accessories on opposite side.

Removal

17



IMG-460265

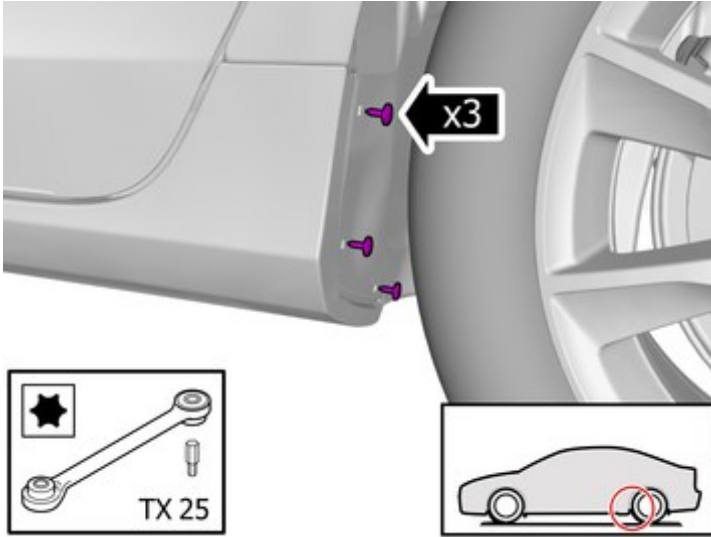
Remove the screws.

The part is to be reused.

Installation instructions, accessories

Volvo Car Corporation Gothenburg, Sweden

18

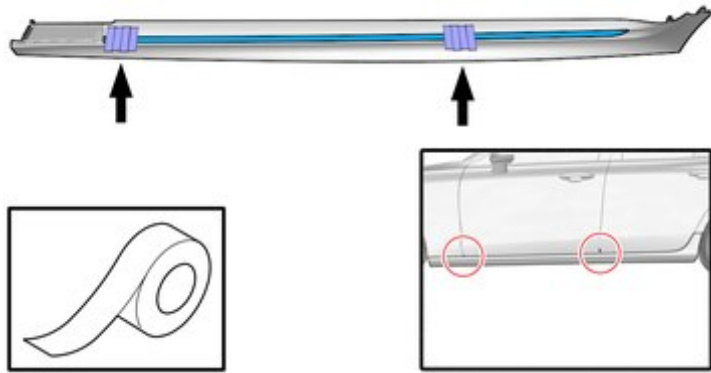


Remove the screws.
The part is to be reused.

19

Open doors.

20



Caution!
Use suitable tape to protect the components.

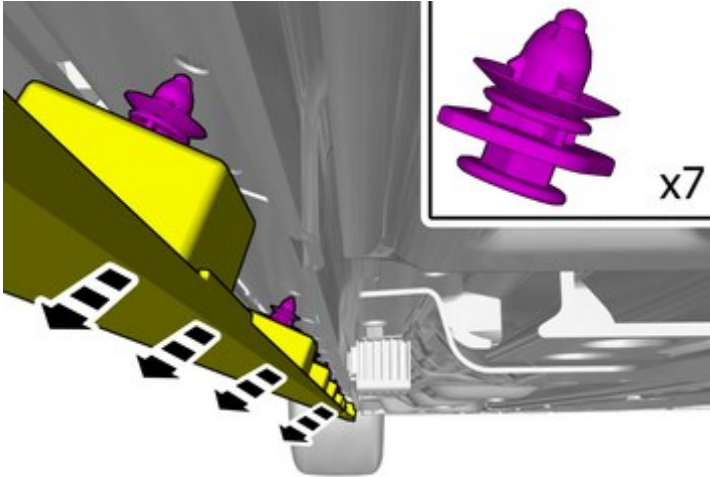
Note the position.

Use: , Tape

Installation instructions, accessories

Volvo Car Corporation Gothenburg, Sweden

21

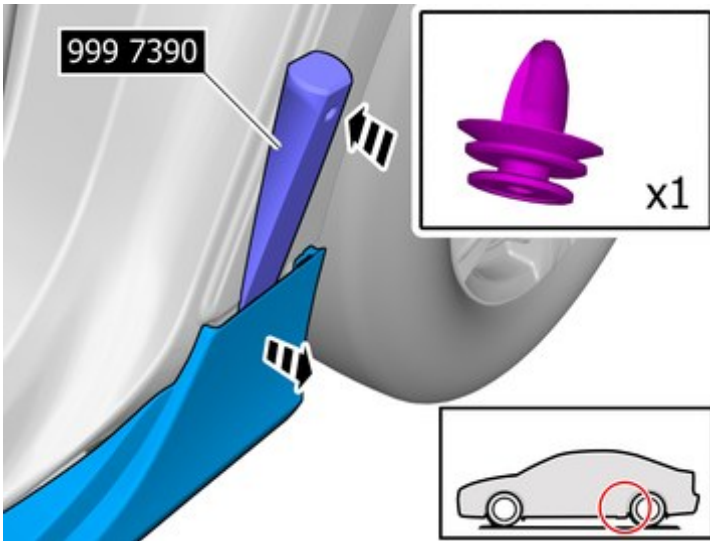


IMG-408330

Note!
The clips consist of two parts.

Loosen the clips.

22



IMG-442738

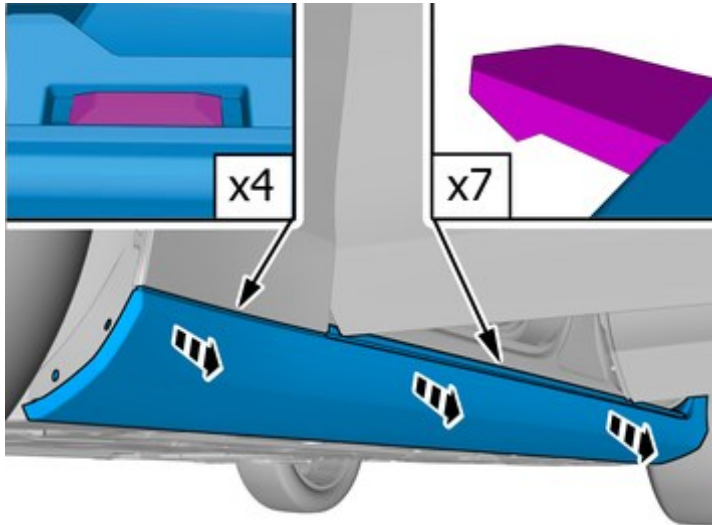
Loosen the clip.

Use special tool: T9997390, Key

Installation instructions, accessories

Volvo Car Corporation Gothenburg, Sweden

23

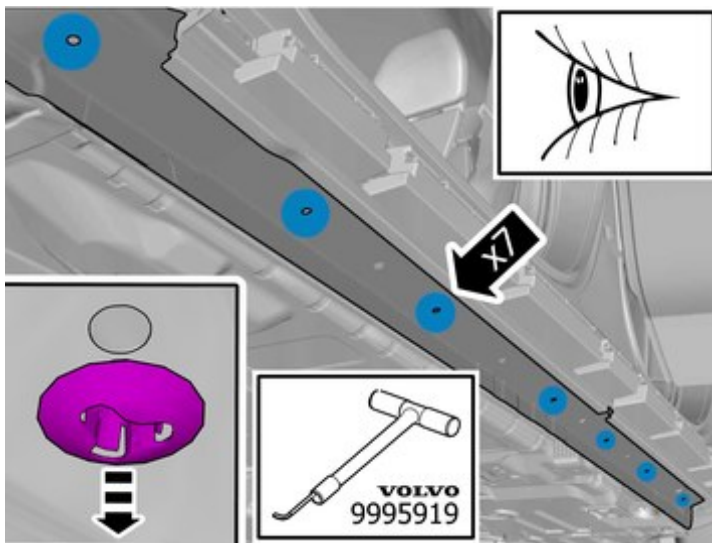


IMG-442767

Loosen the clips.

Remove the marked part.

24



IMG-408475

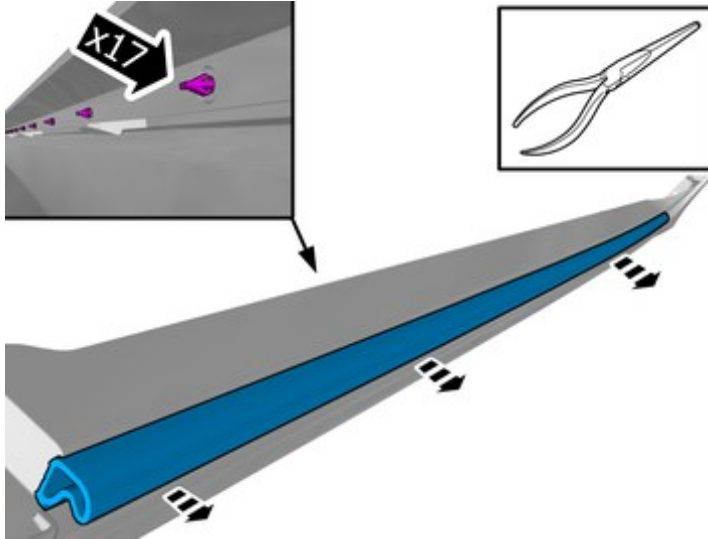
Remove the fasteners.

Use special tool: T9995919, PULLER (SEAL-PINION,CAM-CRANKSHAFT)B200-6304

Installation instructions, accessories

Volvo Car Corporation Gothenburg, Sweden

25



IMG-442769

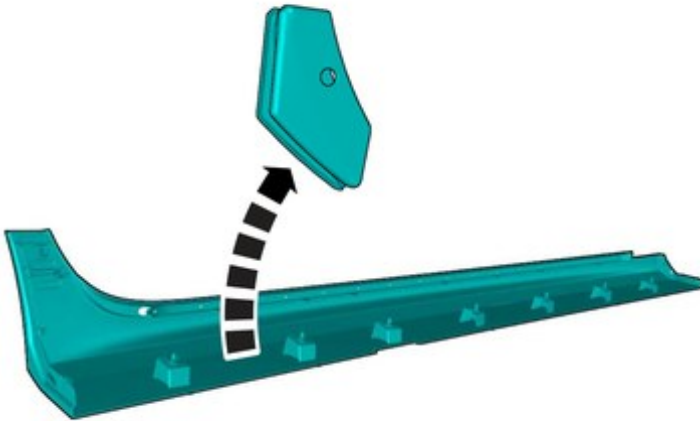
Caution!
The part is to be reused.

Loosen the clips.
Remove the marked part.

Accessory installation

26

Remove the taped component

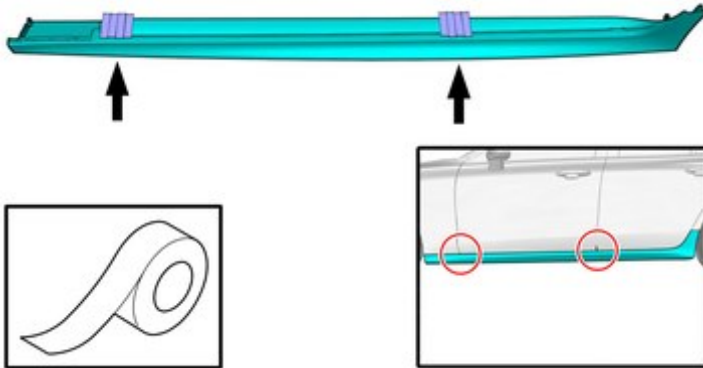


IMG-453971

Installation instructions, accessories

Volvo Car Corporation Gothenburg, Sweden

27



IMG-442820

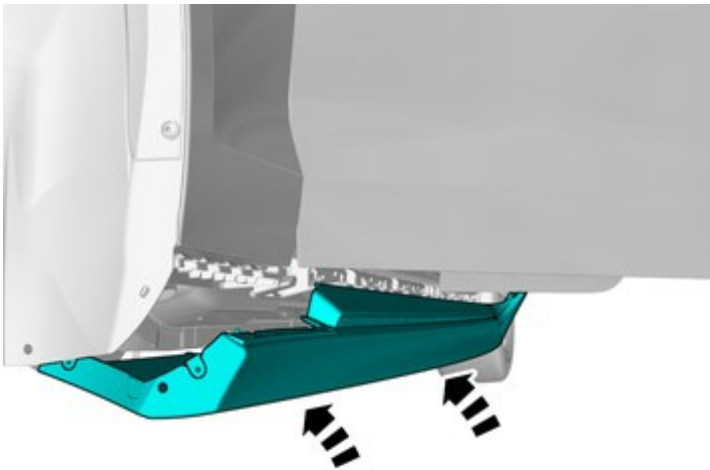
Caution!

Use suitable tape to protect the components.

Note the position.

Use: , Tape

28



IMG-442845

Caution!

Make sure not to damage painted surfaces.

Note!

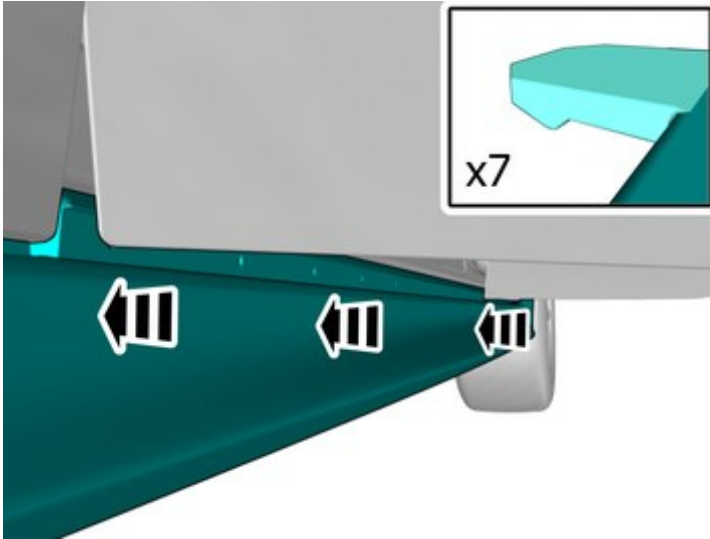
Note the position.

Install component that comes with the accessory kit.

Installation instructions, accessories

Volvo Car Corporation Gothenburg, Sweden

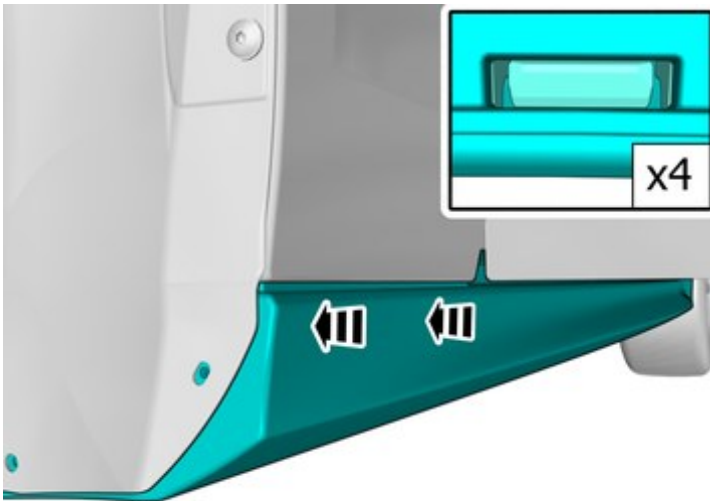
29



IMG-442866

Press until a click is heard.
Ensure that all clips engage.

30



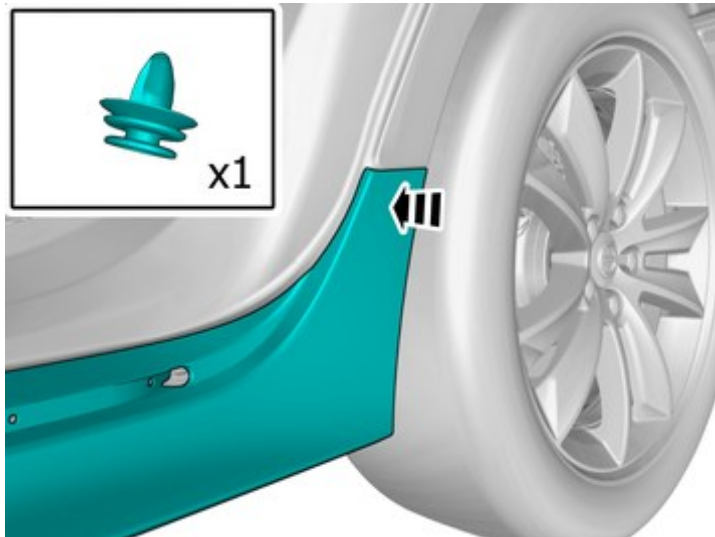
IMG-442874

Press until a click is heard.
Ensure that all clips engage.

Installation instructions, accessories

Volvo Car Corporation Gothenburg, Sweden

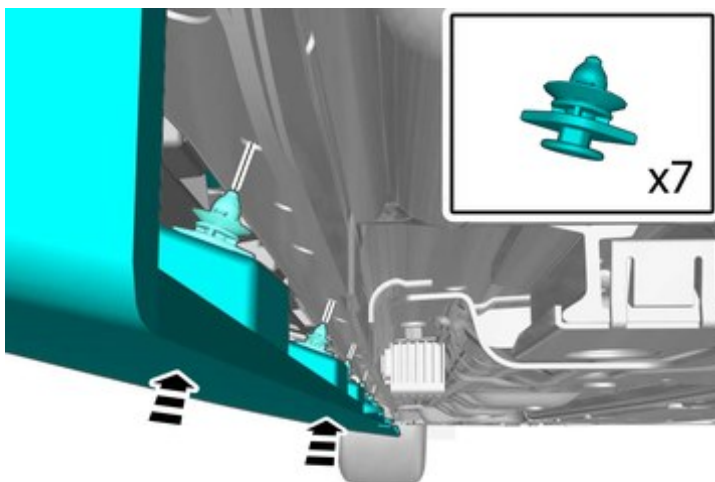
31



IMG-442880

Press until a click is heard.
Ensure that all clips engage.

32



IMG-442925

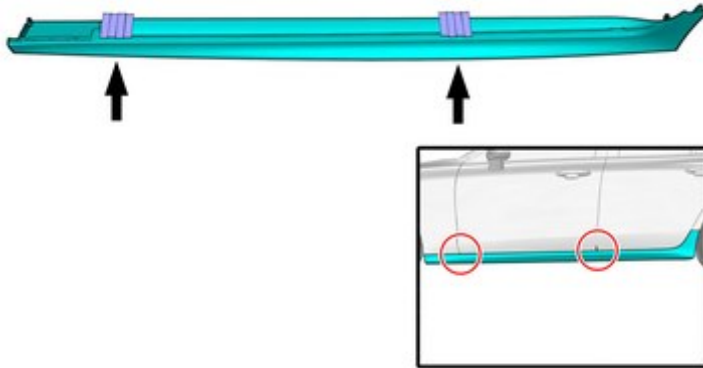
Press until a click is heard.
Ensure that all clips engage.

Installation instructions, accessories

Volvo Car Corporation Gothenburg, Sweden

33

Remove the tape.



IMG-442928

34

Fold the protective film forward

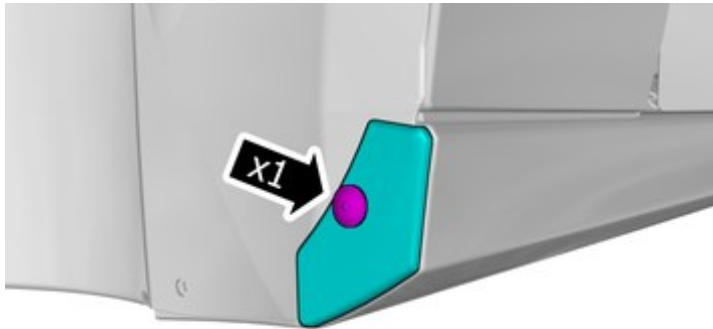


IMG-444584

Installation instructions, accessories

Volvo Car Corporation Gothenburg, Sweden

35

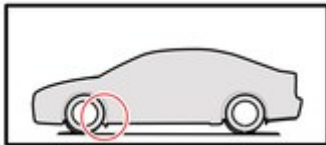


Note!

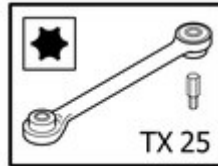
Do not fully tighten the bolt.

Install component that comes with the accessory kit.

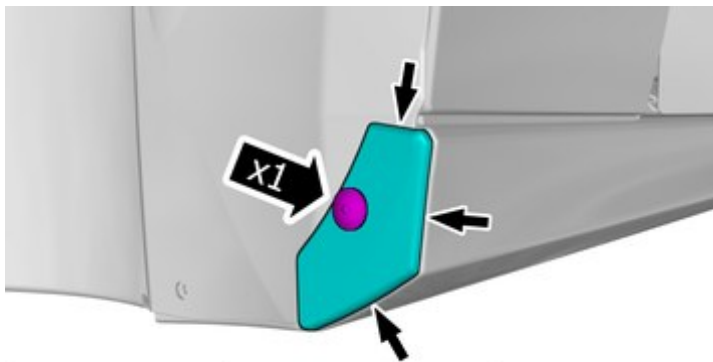
Install the screw.



IMG-442971



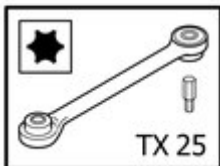
36



Note!

Adjust the position of the components to create even spaces.

Tighten the screw.



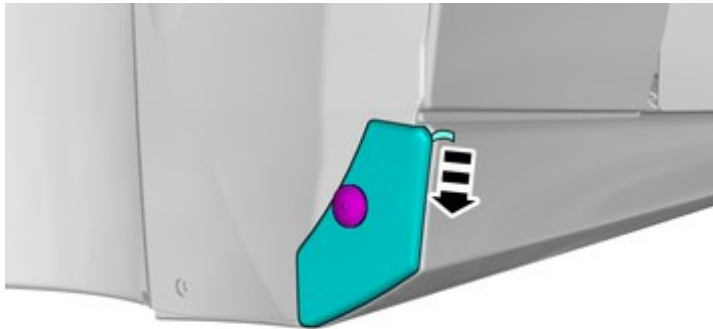
IMG-442962



Installation instructions, accessories

Volvo Car Corporation Gothenburg, Sweden

37



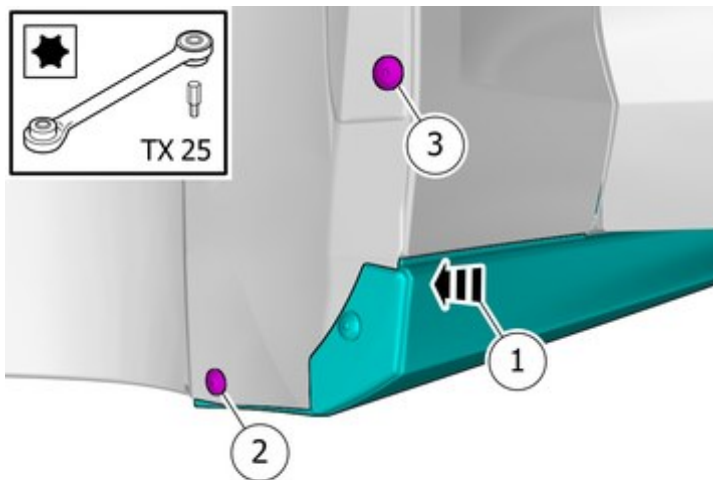
Caution!
Pull carefully.

Note!
Ensure that the tape is fixed to the surface.

Remove the protective film.

IMG-442973

38



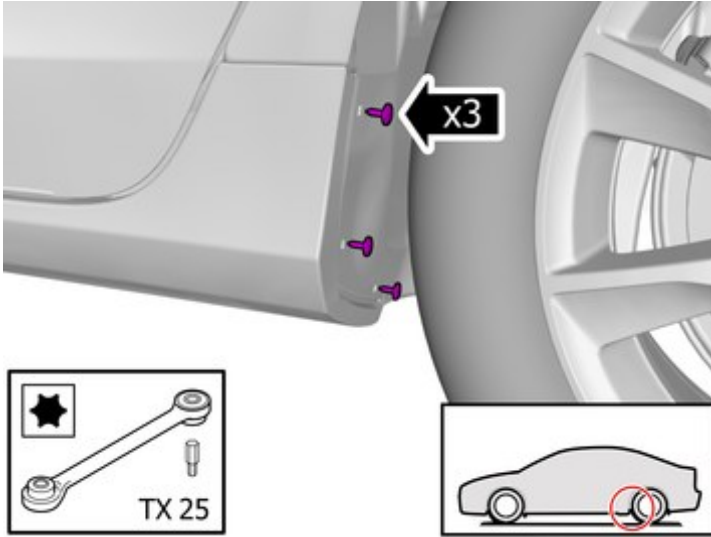
1. Press the marked component.
2. Tighten the screw.
3. Tighten the screw.

IMG-460269

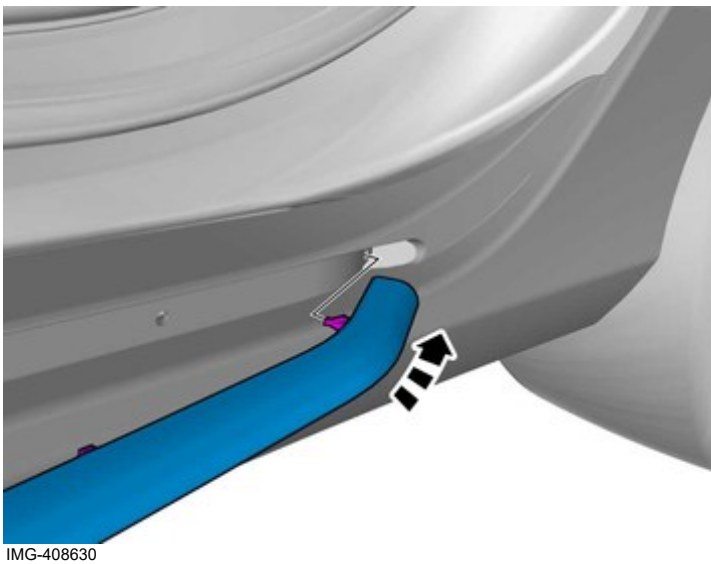
Installation instructions, accessories

Volvo Car Corporation Gothenburg, Sweden

39



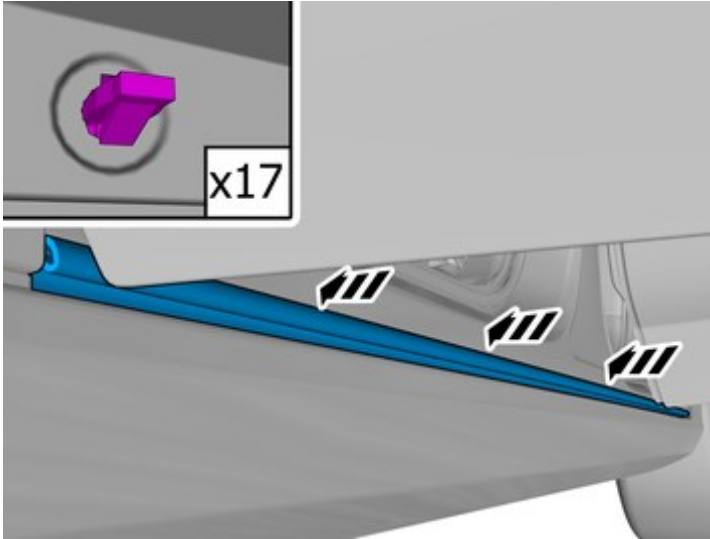
40



Installation instructions, accessories

Volvo Car Corporation Gothenburg, Sweden

41



IMG-442775

Reinstall the removed part.
Ensure that all clips engage.

42

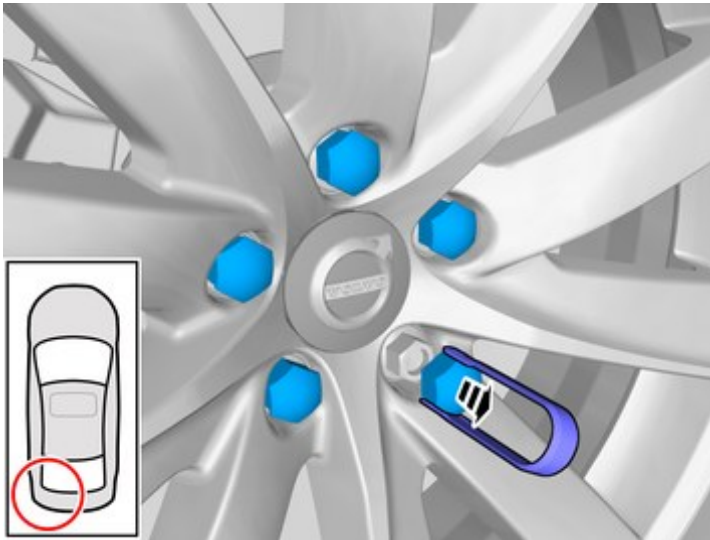
Close doors.

43

Repeat all method steps for the other side.

Removal

44



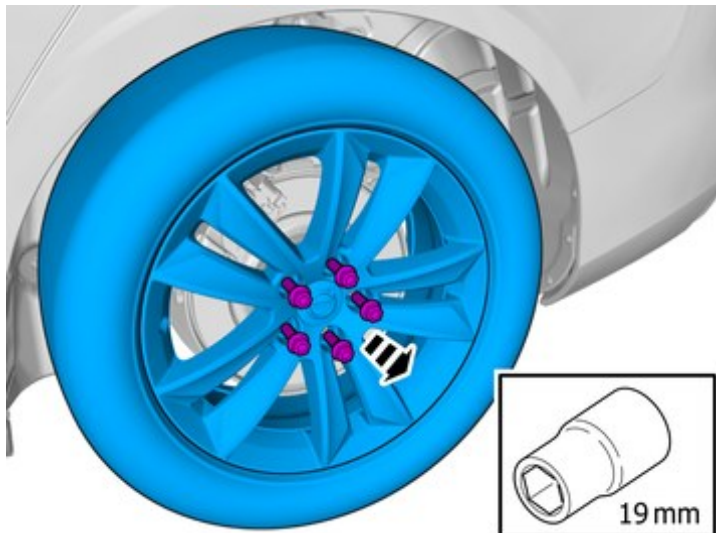
IMG-441817

Remove the marked detail/details.

Installation instructions, accessories

Volvo Car Corporation Gothenburg, Sweden

45

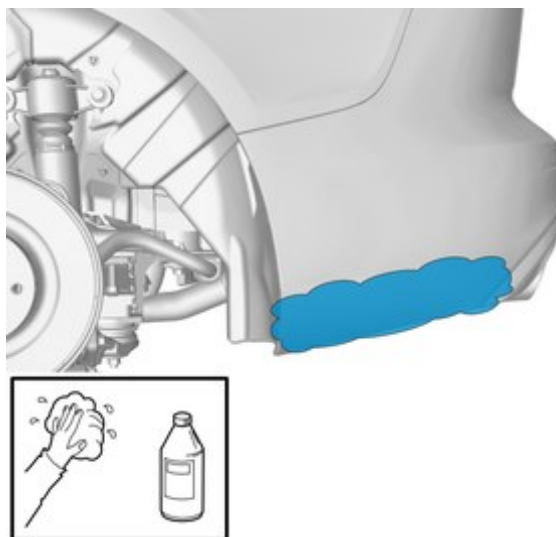


IMG-441820

Remove the screws.

Remove the marked part.

46



IMG-441821

Clean the Bumper Cover surface.

Use: , Isopropanol

Accessory installation

Installation instructions, accessories

Volvo Car Corporation Gothenburg, Sweden

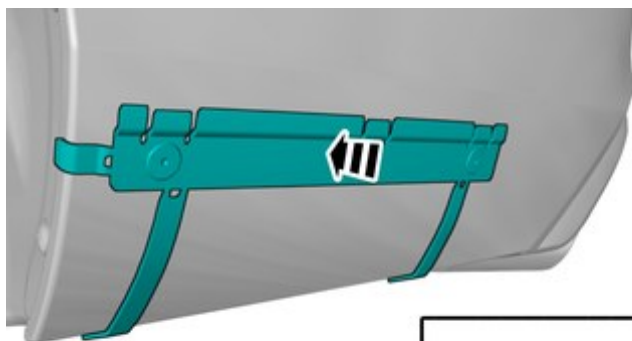
47

Remove the protective film.



IMG-442070

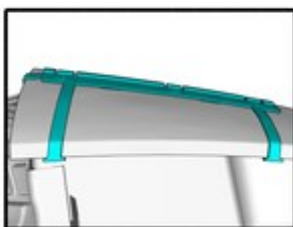
48



Caution!

Make sure that the components are positioned correctly.

Install component that comes with the accessory kit.

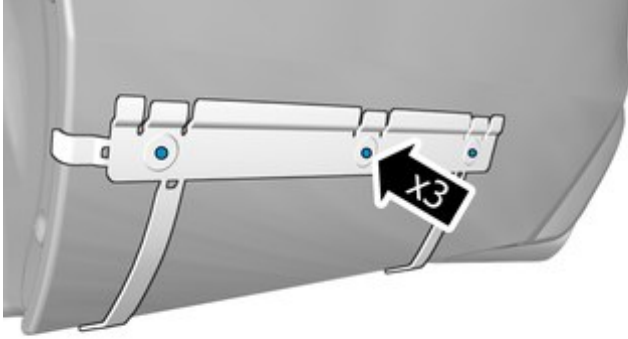


IMG-441970

Installation instructions, accessories

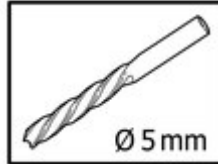
Volvo Car Corporation Gothenburg, Sweden

49



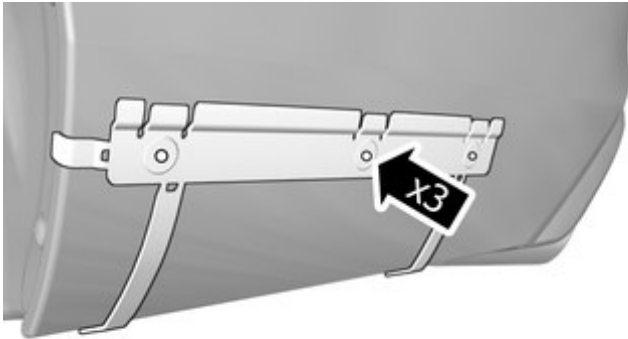
Locate relevant marking.

Make a hole, using the tool indicated.



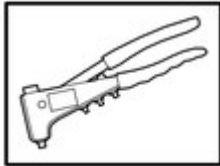
IMG-441984

50



Install components that come with the accessory kit.

Use: Pop rivet pliers

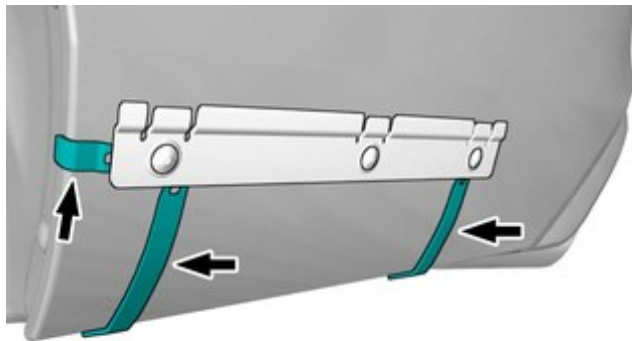


IMG-441998

Installation instructions, accessories

Volvo Car Corporation Gothenburg, Sweden

51



Remove the marked detail/details.

IMG-442020

52



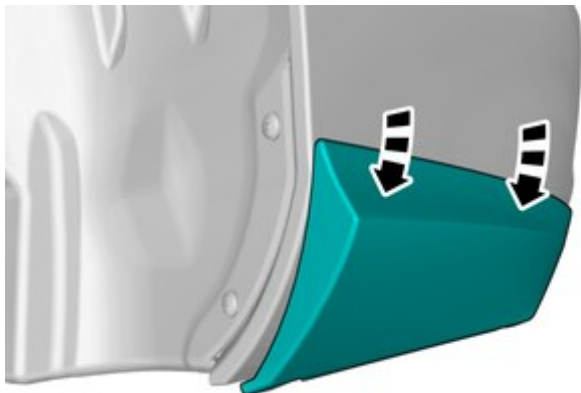
Fold the protective film forward

IMG-442365

Installation instructions, accessories

Volvo Car Corporation Gothenburg, Sweden

53

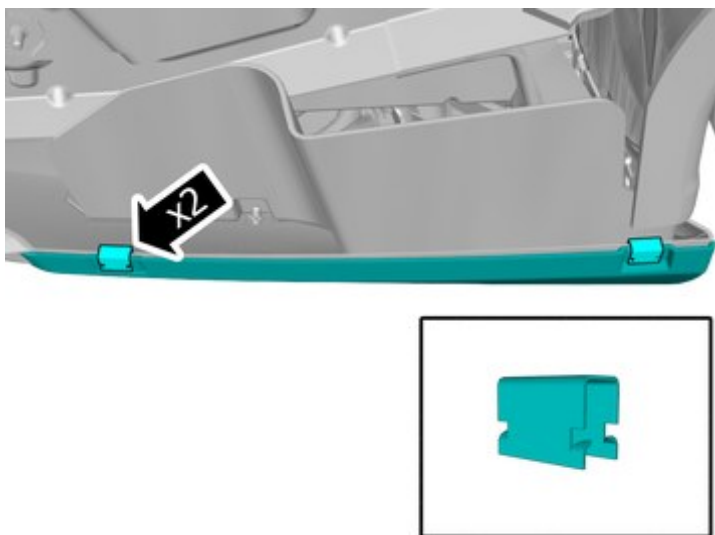


Install component that comes with the accessory kit.

Ensure that all clips engage.

IMG-442087

54



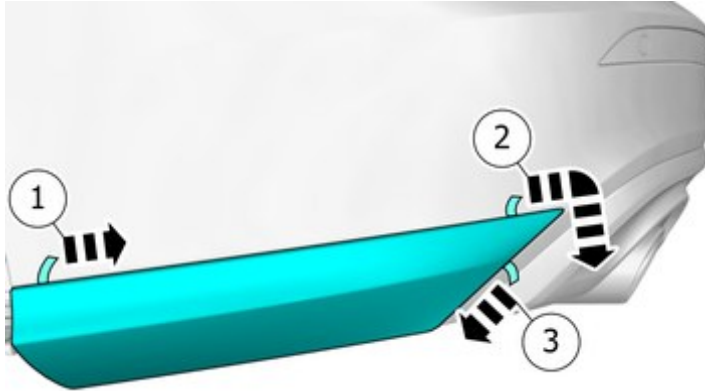
Install components that come with the accessory kit.

IMG-442089

Installation instructions, accessories

Volvo Car Corporation Gothenburg, Sweden

55



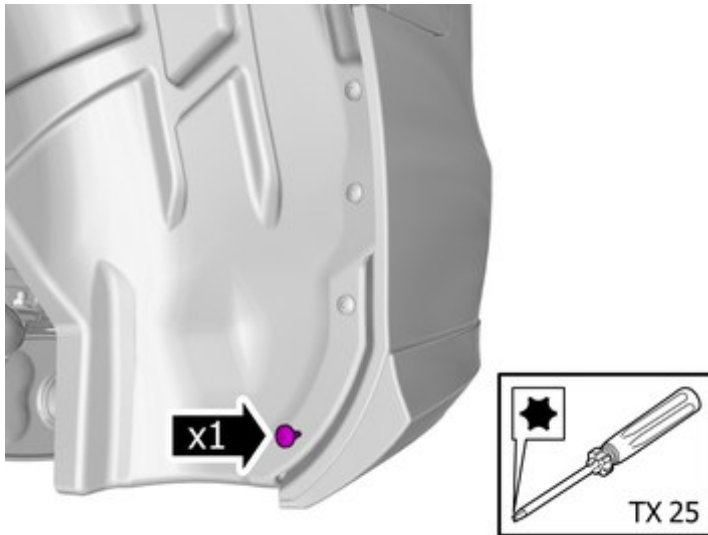
Caution!
Pull carefully.

Note!
Ensure that the tape is fixed to the surface.

Remove the protective film.

IMG-442383

56



Remove the screw.

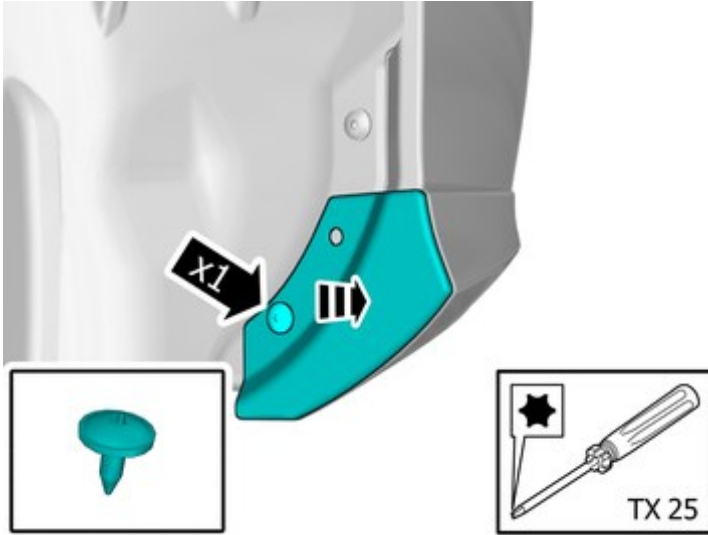
The part is not to be reused.

IMG-442091

Installation instructions, accessories

Volvo Car Corporation Gothenburg, Sweden

57



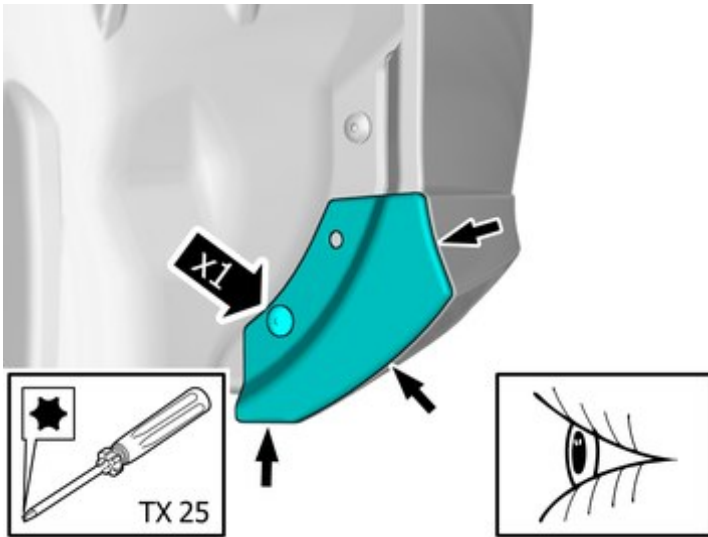
IMG-442209

Note!

Do not fully tighten the bolt.

Install components that come with the accessory kit.

58



IMG-442217

Note!

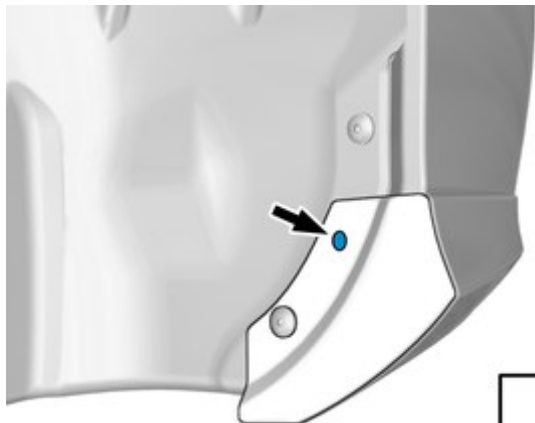
Adjust the position of the components to create even spaces.

Tighten the screw.

Installation instructions, accessories

Volvo Car Corporation Gothenburg, Sweden

59

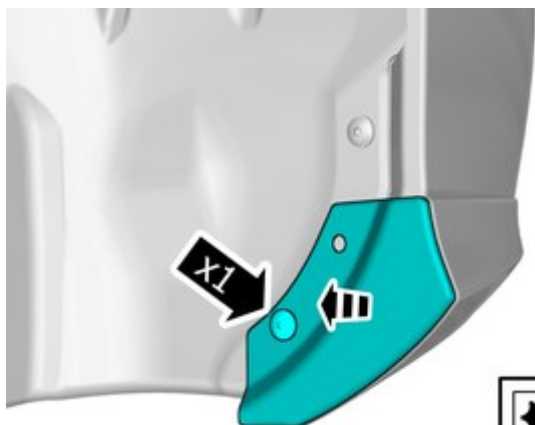


Mark using a pen

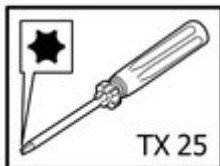


IMG-442220

60



Remove the marked detail/details.



IMG-442221

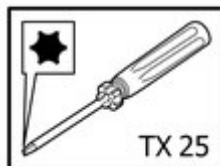
Installation instructions, accessories

Volvo Car Corporation Gothenburg, Sweden

61

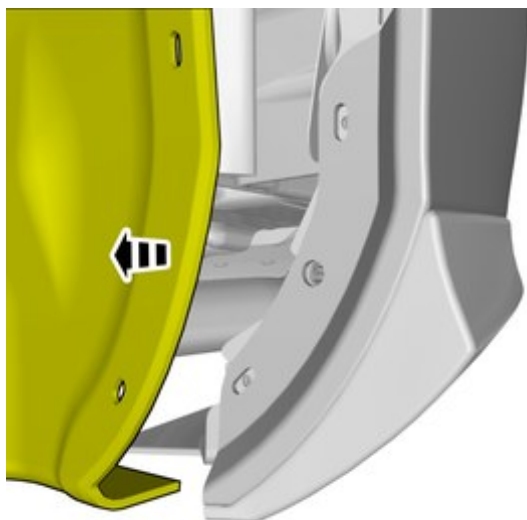


Remove the screws.



IMG-442322

62



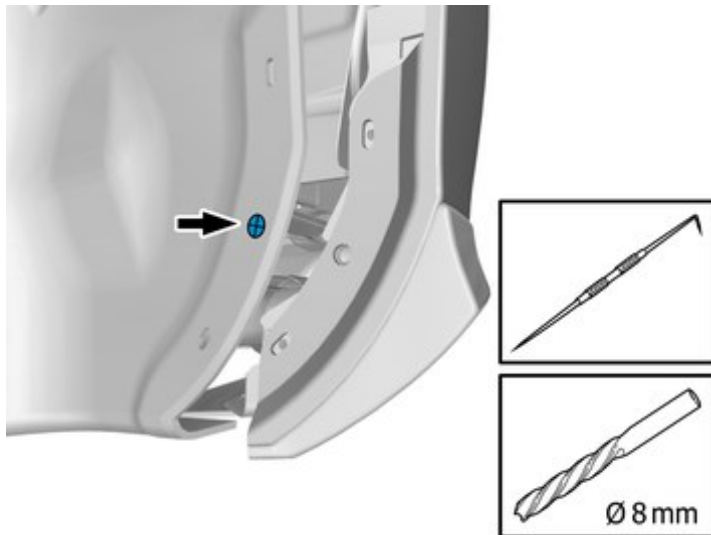
Fold the wing liner aside.

IMG-454015

Installation instructions, accessories

Volvo Car Corporation Gothenburg, Sweden

63



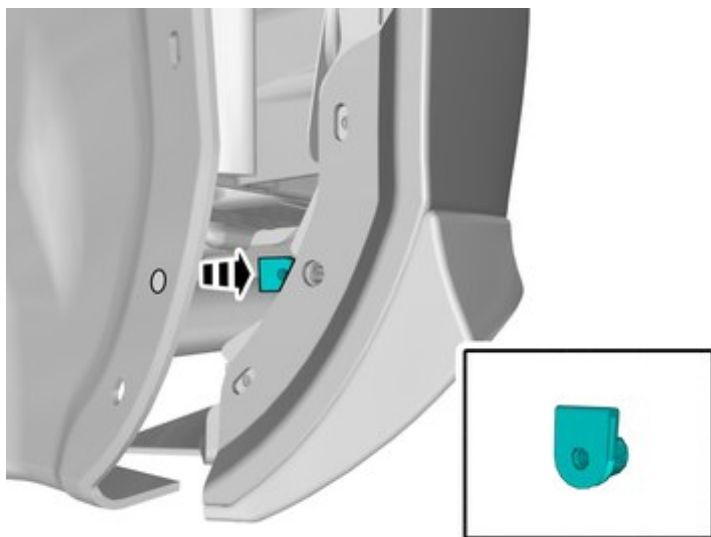
IMG-454016

Mark the centre.

Use: Scribe

Make a hole, using the tool indicated.

64



IMG-454030

Install component that comes with the accessory kit.

Installation instructions, accessories

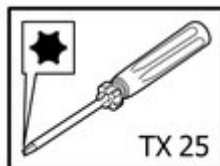
Volvo Car Corporation Gothenburg, Sweden

65



IMG-442322

Reinstall the screws.



66

Fold the protective film forward

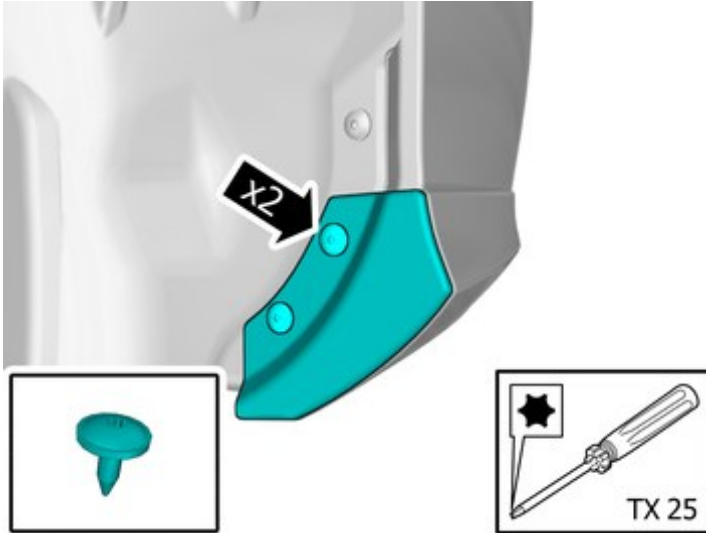


IMG-444603

Installation instructions, accessories

Volvo Car Corporation Gothenburg, Sweden

67

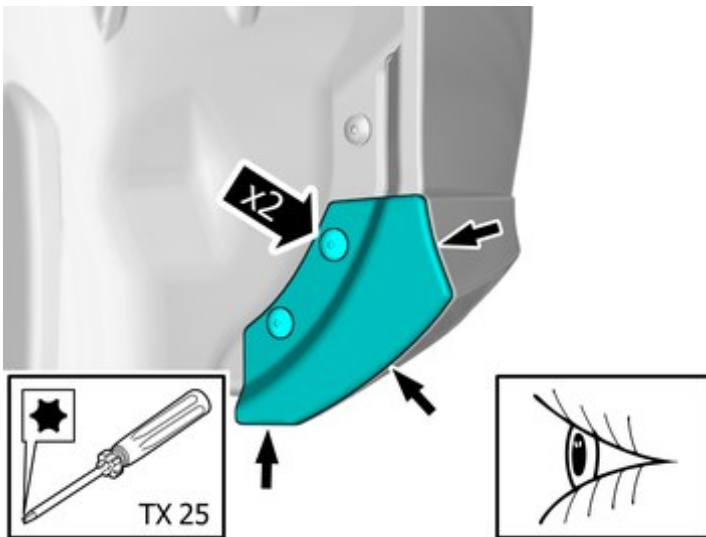


Note!

Do not fully tighten the bolts.

Install components that come with the accessory kit.

68



Note!

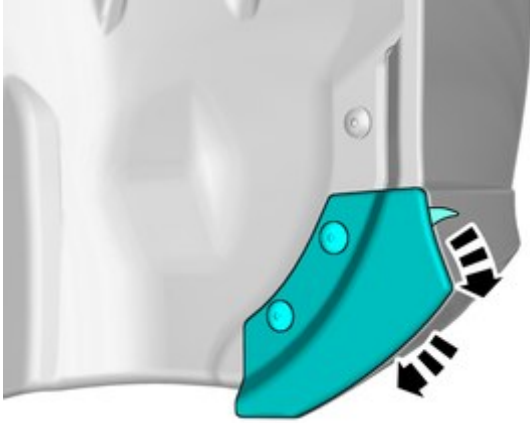
Adjust the position of the components to create even spaces.

Tighten the bolts.

Installation instructions, accessories

Volvo Car Corporation Gothenburg, Sweden

69



IMG-444613

Caution!
Pull carefully.

Note!
Ensure that the tape is fixed to the surface.

Remove the protective film.

70

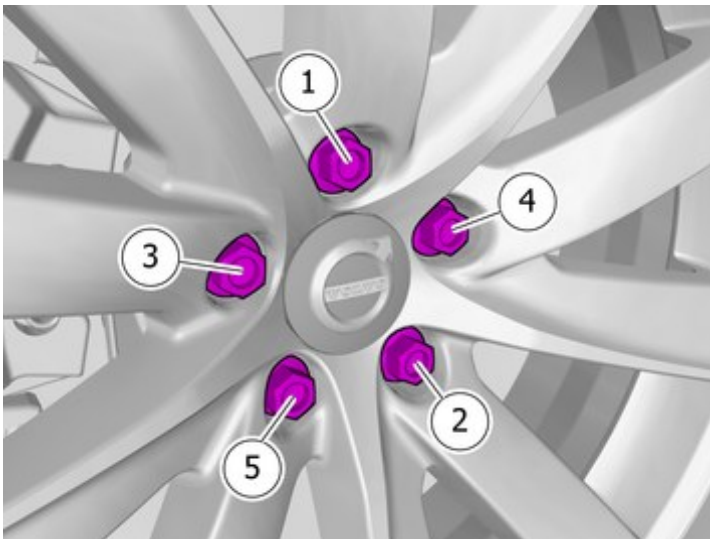
Repeat the steps when installing accessories on opposite side.

Installation

71

Reinstall the removed parts in reverse order.

72



IMG-405228

Note!
Make sure to follow the sequence indicated.

Tightening torque: Aluminum wheel rim to wheel hub
Stage 1: 4 Nm
Stage 2: 50 Nm
Stage 3: 140 Nm