

Instructions for P2 S60/S80/V70/XC90 Strut Bar Conversion

**** Note – If you do not possess the necessary tools or knowledge to install this product, seek the assistance of a professional mechanic. ****

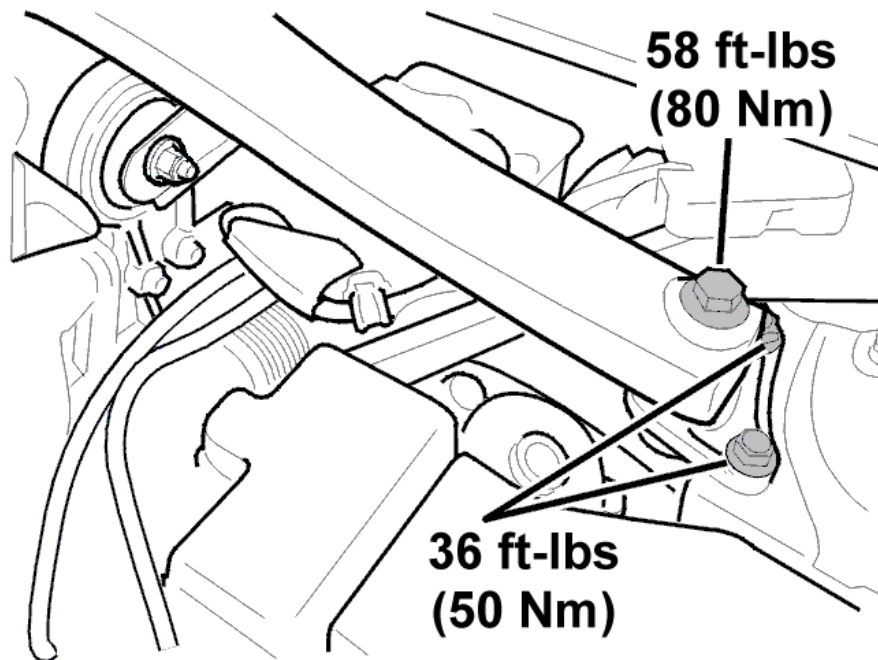
The P2 Strut Bar Conversion is designed for the following models:

- 01+ S60
- 01-07 V70
- 99-06 S80
- 03+ XC90

The following tools are required for installation:

- Torque wrench
- 14mm, 17mm, and 18mm sockets and/or wrenches

1. Remove the plastic tie that holds the power steering line to the stock passenger-side mount. **Be careful not to damage the power steering line.**
2. Remove the stock brace mounts. The large brace-to-mount bolt head is 17mm (bottom nut is 18mm), and the (2) small mount-to-body bolts are 14mm.
3. The mounts install with the welded side down. The slotted mount is used on the passenger side, and is installed AFTER the driver side mount. First, install the driver-side mount and replace the brace-to-mount bolt/nut and the (2) mount-to-body bolts. Torque the (3) bolts as follows:



4. Next install the passenger-side mount by inserting and tightening the large brace-to-mount bolt/nut first (this will determine where the mount-to-body bolts will line up in the slots). Finally, insert and tighten the (2) mount-to-body bolts. Torque all (3) bolts as indicated above.
5. Use the included plastic tie to reattach the power steering line to the small hole in the passenger side mount.